

**WOIPFG's Investigative Report Series on the Alleged
Organ Harvesting of Living Falun Gong
Practitioners at Major Chinese Hospitals and Their
Staff Members Suspected of Participation**

Volume XI



追查迫害法輪功國際組織

World Organization to Investigate the Persecution of Falun Gong

<https://www.upholdjustice.org/>



追查迫害法輪功國際組織 (追查國際)

World Organization to Investigate the Persecution of Falun Gong (WOIPFG)

To investigate the criminal conduct of all institutions, organizations, and individuals involved in the persecution of Falun Gong; to bring such investigation, no matter how long it takes, no matter how far and deep we have to search, to full closure; to exercise fundamental principles of humanity; and to restore and uphold justice in society

China's Organ Transplant Organizations are the Executing Entities for the Communist Party's State Crime of Live Organ Harvesting

Since 1999, led by its then-leader Jiang Zemin, the Chinese Communist Party (CCP) criminal group has been manipulating China's entire state apparatus, including the Party, government, military, armed police, judicial system, and medical institutions, through the Political and Legal Affairs Commission and the "610" system, to commit nationwide mass extermination of Falun Dafa practitioners by means of live organ harvesting for transplantation. The CCP's live organ harvesting of Falun Gong practitioners is a crime against humanity and a crime of genocide initiated on the orders of Jiang Zemin.

Since the CCP's live organ harvesting of Falun Gong practitioners is a state genocidal crime conducted as a political campaign, organ transplant institutions in all provinces, central government-controlled municipalities, and autonomous regions of mainland China, including all military, armed police, and local hospitals (medical centers) are suspected to have participated in this crime, even including a considerable number of hospitals unqualified to perform organ transplants, such as small and medium-sized hospitals and specialized hospitals. Similar to how all Chinese hospitals were involved in forced abortions during the CCP's implementation of the "one-child policy", all transplant facilities in China today have participated in live organ harvesting.

In view of the broader context of the CCP's state crime of live organ harvesting, those in charge of organ transplant hospitals/centers and similar institutions in China are suspected of having been involved in the crime of live organ harvesting from groups such as Falun Gong practitioners.

Evidence Collection Methods

1. Direct and indirect comprehensive telephone investigation and on-site investigation of the people suspected of involvement in the live organ harvesting

The subjects of our investigations include government officials, police officers, doctors and other medical personnel.

Geographical Distribution of the Subjects of Investigation, and the Duration of Investigations:

The WOIPFG's subjects of investigation are people in different positions, who are located across the entire country of China. Our investigations have been ongoing for nearly two decades, and our investigation results have always been consistent. The evidence gathered by us verifies that live organ harvesting is a systematic arrangement by the CCP.

- 1) Subjects of investigation: Presidents, directors, doctors, nurses, and security guards of organ transplant hospitals.
- 2) Hospitals involved: A considerable amount of recorded evidence has been obtained from many provincial, military, armed police, and local organ transplant hospitals (centers) across China.
- 3) Time span: Our investigations on the live organ harvesting started in 1999, and they are ongoing to this day.

2. Data investigation

- 1) We have been collecting data from the hospitals' websites and press releases.



追查迫害法輪功國際組織 (追查國際)

World Organization to Investigate the Persecution of Falun Gong (WOIPFG)

To investigate the criminal conduct of all institutions, organizations, and individuals involved in the persecution of Falun Gong; to bring such investigation, no matter how long it takes, no matter how far and deep we have to search, to full closure; to exercise fundamental principles of humanity; and to restore and uphold justice in society

- 2) We have been searching for and analyzing medical papers on transplantation.
- 3) We have been using the website www.archive.org to view the hospitals' previously archived information.
- 4) We have been collecting reports from the official Chinese media outlets.
- 5) We have organized all the information obtained from our investigations to create a database of the hospitals.

All the facts have shown us that the CCP is by no means a rational or normal organization or political party; but instead, it is a supra-state criminal syndicate controlled by a group of criminals who have committed crimes against humanity. The CCP's logic of thinking and principles of action are anti-human, and the crimes it has committed are forms of evil that humanity had never seen previously.

WOIPFG's investigative report series contains nearly 70 investigation reports on the alleged organ harvesting of living Falun Gong Practitioners at major Chinese military and civilian hospitals and on their staff members suspected of participation in this crime. This volume contains seven such investigation reports.

Table of Contents

WOIPFG's Investigative Report on the Alleged Organ Harvesting of Living Falun Gong Practitioners at the PLA General Hospital of the Southern Military Command (Formerly the General Hospital of Guangzhou Military Command of the PLA) and Its Staff Members Suspected of Participation.....3

WOIPFG's Investigative Report on the Alleged Organ Harvesting of Living Falun Gong Practitioners at the PLA General Hospital (aka. the PLA No. 301 Hospital) and Its Staff Members Suspected of Participation 9

WOIPFG's Investigative Report on the Alleged Organ Harvesting of Living Falun Gong Practitioners at Army Medical Center of PLA (formerly Daping Hospital Affiliated with Third Military Medical University) and Its Staff Members Suspected of Participation 20

WOIPFG's Investigative Report on the Alleged Organ Harvesting of Living Falun Gong Practitioners at the No.900 Hospital of the PLA Joint Logistic Support Force (previous Fuzhou General Hospital of PLA Nanjing Military Command) and Its Staff Members Suspected of Participation 26

WOIPFG's Investigative Report on the Alleged Organ Harvesting of Living Falun Gong Practitioners at the PLA Eastern Theater General Hospital (Formerly Nanjing General Hospital of Nanjing Military Command) and Its Staff Members Suspected of Participation 33

WOIPFG's Investigative Report on the Alleged Organ Harvesting of Living Falun Gong Practitioners at Air Force Hospital of PLA's Western Theater (formerly PLA No. 452 Hospital) and Its Staff Members Suspected of Participation..... 42

WOIPFG's Investigative Report on the Alleged Organ Harvesting of Living Falun Gong Practitioners at Air Force Hospital of Northern Theater of People's Liberation Army (formerly PLA No.463 Hospital) and Its Staff Members Suspected of Participation..... 46



追查迫害法輪功國際組織 (追查國際)

World Organization to Investigate the Persecution of Falun Gong (WOIPFG)

To investigate the criminal conduct of all institutions, organizations, and individuals involved in the persecution of Falun Gong; to bring such investigation, no matter how long it takes, no matter how far and deep we have to search, to full closure; to exercise fundamental principles of humanity; and to restore and uphold justice in society

WOIPFG's Investigative Report on the Alleged Organ Harvesting of Living Falun Gong Practitioners at the PLA General Hospital of the Southern Military Command (Formerly the General Hospital of Guangzhou Military Command of the PLA) and Its Staff Members Suspected of Participation

Preface

As early as 2006, WOIPFG investigators discovered through a telephone investigation on Zhu Yunsong, chief of urology at the General Hospital of Guangzhou Military Command of PLA, that Falun Gong practitioners were used as organ transplant donors (Investigation Recording 1.) In a 2017 telephone investigation by WOIPFG on Pu Miaoshui, a liver transplant surgeon at the Guangzhou Military Region General Hospital, Pu's responses again confirmed that organs were harvested from live Falun Gong practitioners (Investigation recording 2.), and in addition, the practice has been supported by Chinese Communist Party (CCP) government¹.

I. Hospital Profile

General Hospital of the Southern Military Command of the People's Liberation Army (PLA) (formerly the General Hospital of Guangzhou Military Command of PLA) was built in 1933. After 70 years, it has become a large modern comprehensive hospital integrating practice in medical treatment, teaching, scientific research, illness prevention, health care and rehabilitation. It is one of the first tertiary level-A hospitals in mainland China and in the Chinese Communist military² and serves as the teaching institute for 14 medical schools. It is also one of the first batch of hospitals designated as public medical institutes and hospitals accepting medical insurance in Guangzhou city and Guangdong Province. The hospital covers an area of 210,000 square meters, with 64 specialties and 1,836 ward beds³.

II. Transplant Center Profile

1.1 1. General Hospital of Guangzhou Military Command of PLA is the largest urology base in South China and is at the forefront of liver transplant in Guangdong Province

In 2005, the General Hospital of Guangzhou Military Command of PLA received approval to establish the Guangzhou Military Urology Research Institute. In 2008, it was awarded Guangdong's Specialty Program by the provincial government. Currently, it stands as the largest urology department in Guangdong province and the region's largest base for urology related education, research, treatment, and prevention, and includes a post-doc research station. At present, there is one Ph.D. supervisor, three master's degree supervisors, one person with State Council allowance, two persons with military allowance, one military general-rank specialist, four key personnel from Guangzhou Military Region, one well-known surgeon from the military region, one outbound post-doctor, six doctors (with Ph.D.'s), eight persons with master's degrees, and 10 Ph.D. or master's degree candidates.

The hospital started to conduct cadaveric kidney transplant since 1981 and has conducted over 1,000 transplants. Currently, around 150 transplants are conducted each year⁴.

The hospital's Hepatobiliary Surgery Department's Liver Transplant Center has become one of the most technically strong and comprehensive organ transplant centers⁵. In 2011, the hospital established the first organ procurement organization (OPO) in China⁶.



追查迫害法輪功國際組織 (追查國際)

World Organization to Investigate the Persecution of Falun Gong (WOIPFG)

To investigate the criminal conduct of all institutions, organizations, and individuals involved in the persecution of Falun Gong; to bring such investigation, no matter how long it takes, no matter how far and deep we have to search, to full closure; to exercise fundamental principles of humanity; and to restore and uphold justice in society

2. China's first OPO was inaugurated at the Guangzhou General Hospital of Guangzhou Military Region. In the same year, this hospital was involved in organ trafficking.

On July 11, 2011, China's first OPO was inaugurated at the Guangzhou General Hospital of Guangzhou Military Region.⁷ in the presence of Huang Jiefu, then Vice Minister of Health, and Wang Haibo, Director of the National Center for Organ Donation and Transplantation, who reported that the hospital "has generated or participated in more than 30 cases of organ donation over the years. It has carried out the first organ allocation using the organ allocation and sharing system in China and the first case of heart death organ allocation and sharing using the system. According to experts from the Chinese Communist Party's Ministry of Health, these national firsts are epoch-making cases for China's organ transplant business and mark the official launch of China's fair, just and open national organ allocation and sharing system."

However, an investigation by WOIPFG revealed that doctors at the hospital claimed that there were organs from Falun Gong practitioners and that, according to Chinese police, the hospital was involved in a major organ trafficking case in the same year it was listed as an OPO, with 21 organs coming from a kidney trafficking ring, but the hospital claimed that they were "voluntary donations. (See back three, web screenshots for details)

III. More details on this hospital's involvement in organ trafficking

On August 10, 2014, The Beijing News report, "Gang Removed kidneys from 23 Donors for trafficking, Kidneys Air Transported in Name of Seafood,"⁸ stated that a police investigation found that General Hospital of Guangzhou Military Command of PLA was involved in a mega case of donor captive and organ trafficking, and that "between October 2011 and February 2012, a kidney trafficking gang led by Chen Feng had procured kidneys from 23 captives. Among the 23 removed kidneys, 21 arrived at General Hospital of Guangzhou Military Command of PLA for transplant." It is worth noting that not only was Zhu Yunsong, then deputy director of the kidney transplant department, dismissed as a "separate case", but also when the Beijing News reporter called the person in charge of the organ transplant department to ask about the formal procedures that the hospital should follow to perform organ transplant, the person in charge refused to be interviewed. The reporter's call was based on the statement that "according to the law, before organ transplant, the Clinical Academic and Ethics Committee has to review the legality of the source of the organ."



追查迫害法轮功国际组织 (追查国际)

World Organization to Investigate the Persecution of Falun Gong (WOIPFG)

To investigate the criminal conduct of all institutions, organizations, and individuals involved in the persecution of Falun Gong; to bring such investigation, no matter how long it takes, no matter how far and deep we have to search, to full closure; to exercise fundamental principles of humanity; and to restore and uphold justice in society

news.sina.com.cn/c/2014-08-10/023930659549.shtml

首页 | 新闻 | 体育 | 娱乐 | 财经 | 科技 | 视频 | 微博 | 博客 | 读书 | 教育 | 时尚 | 育儿 | 健康 | 星座 | 收藏
长, 推销与器官移植相关的药品。据他说, 每年卖药能挣几百万元。

陈峰向警方供述, 因为卖药他与广州医院很多移植科医生建立了关系。2010年, 广州军区总医院肾脏移植科副主任朱云松跟他说, 肾源很紧张, 很多病人等着肾脏移植, 朱让他去外面联系一些脑死亡病人的肾源。

2010年, 陈峰在网上认识了江西的左寒冬, 左寒冬说和江西的武警总医院关系熟悉, 可以提供脑死亡病人的肾脏。陈峰派莫永青去南昌、景德镇从左寒冬处取肾, 再把肾卖给朱云松。

陈峰否认贩卖肾脏是为了谋利, “我卖药利润很高, 根本看不上买卖器官这些小钱。主要是维护关系, 做药品。” 警方调查发现, 陈峰每提供给朱云松一个肾脏, 得到12万元, 其中10.5万元分给贩肾集团的江西中介团伙左寒冬等, 1500元分给莫永青, 他自己能赚1万多元。

目前, 朱云松被另案处理, 但网络上有许多尿毒症患者仍发帖对他表示感谢。

按照法律规定, 器官移植前, 临床学术和伦理委员会要对器官来源的合法性等进行审查。新京报记者前晚致电广州军区总医院器官移植相关科室负责人, 询问该院进行器官移植手术应当履行的正规程序, 该负责人拒绝接受采访。

北京某三甲医院一位器官移植科医生介绍, 病人进行肾脏移植, 肾源加手术费、疗养费约50万元。由于肾源很紧张, 不排除某些医院默许非法途径的肾脏流入。“病人迫切需要, 医院有利可图, 某些医生就默许了伪造的资料。”

经警方调查, 从2011年10月至2012年2月间, 以陈峰为首贩肾团伙, 先后对23名供体进行肾脏摘除手术。这23枚被摘除的肾脏, 有21枚运抵广州军区总医院实施了移植手术。有两枚由刘永东请医生私自江西、广州的民营医院实施移植手术。

Figure 1 The Beijing News report reproduced by Sina revealed that General Hospital of Guangzhou Military Command of PLA was involved in organ trafficking.

IV. Telephone Investigation

Summary: Falun Gong practitioners are used as donors; emergency transplants can be performed; the wait time for transplants is short; the number of liver transplants is large.

Investigation Recording 1.

Zhu Yunsong from General Hospital of Guangzhou Military Command of PLA:

"Yes, then you come over. "

Subject of Investigation: Zhu Yunsong, the director of the organ transplant department at the General Hospital of Guangzhou Military Command of the PLA

Date: April 12, 2006 (phone number:0118613602703460, 011862036222653)

The following is part of the audio recording of WOIPFG investigator's investigation of Zhu Yunsong.

Investigator: "If you could obtain Falun Gong practitioner kidney in this period of time, let me know, okay?"

Zhu: "No problem. Then you come over here."

(Recording 1: [MP3](#); Transcript Download: [pdf5](#))

Excerpts from a recorded conversation between a WOIPFG investigator and Zhu Yunsong:

Investigator: "Is that Director Zhu of General Hospital of Guangzhou Military Command of the PLA?"

Zhu: "Yes, who is speaking?"

Investigator: "I work for the No. 304 Hospital from Beijing, and I have two relatives here. Right now we do not have enough kidney supplies. We used to do lots of such surgeries in years 2001, 2002, 2003..."



追查迫害法輪功國際組織 (追查國際)

World Organization to Investigate the Persecution of Falun Gong (WOIPFG)

To investigate the criminal conduct of all institutions, organizations, and individuals involved in the persecution of Falun Gong; to bring such investigation, no matter how long it takes, no matter how far and deep we have to search, to full closure; to exercise fundamental principles of humanity; and to restore and uphold justice in society

Zhu: “Yes, I know.”

Investigator: “We found that kidneys from young donors are good. Another thing is that the kidneys from Falun Gong detainees are relatively good. Do you have this kind of kidney sources from Falun Gong detainees?”

Zhu: “We do not have many Falun Gong (practitioners’ kidney sources).”

Investigator: “You still have some of this kind (of kidneys from Falun Gong practitioners)?”

Zhu: “It is not difficult to find Type B kidneys (from Falun Gong practitioner donors). If you want, you can come. We can do it pretty soon, definitely can be arranged before May 1.”

Investigator: “Do you have one batch prior to May 1?”

Zhu: “We will have several batches.”

Investigator: “How about after May 1?”

Zhu: “If you wait until after May 1, it will likely to be after May 20.”

Investigator: “If you could obtain Falun Gong practitioner’s kidney in this period of time, let me know, okay?”

Zhu: “No problem. You come over and we can talk then...”

Investigative Recording 2

Investigation Subject: Doctor Pu Miaoshui, liver transplant doctor at General Hospital of Guangzhou Military Command of the PLA

Date: January 23, 2017 (Phone number: +86+13682253550)

Investigator: Can you still use organs from death-row inmates and (Falun) Gong practitioners?

Pu Miaoshui: “[The use of organs from death-row inmates and (Falun) Gong practitioners] was legal before, now it is not illegal either, but now there is state regulation saying it can’t be done. It does not work when the state says no. It is not an issue of legality.”⁹

(Recording 2. Download: [MP3](#); Transcript Download: [pdf 27](#))

V. The Hospital Can Perform Urgent Liver Transplant

Investigative Recording 3

Investigation Subject: Liver Transplantation Doctor at General Hospital of Guangzhou Military Command of the PLA

Date: November 7, 2017 (Phone number: +86+13682253550)

Key Point of Investigation Results: Doctor: The hospital is qualified to perform emergency liver transplant. In order to (conduct the transplant) quickly, at least you need to get the funding and blood donor prepared. You need to ask ten of your families to donate blood. The speed of transplant depends on how well you prepared for what I just mentioned, not us.”¹⁰

(Recording 3. Download: [MP3](#); Transcript Download: [pdf 42](#))



追查迫害法輪功國際組織 (追查國際)

World Organization to Investigate the Persecution of Falun Gong (WOIPFG)

To investigate the criminal conduct of all institutions, organizations, and individuals involved in the persecution of Falun Gong; to bring such investigation, no matter how long it takes, no matter how far and deep we have to search, to full closure; to exercise fundamental principles of humanity; and to restore and uphold justice in society

VI. Short Waiting Time, Large Number of Transplant, One of the Top Three Hospitals for Transplant

Investigative Recording 4

Investigation Subject: Doctor Pu Miaoshui¹¹, Liver Transplant, General Hospital of Guangzhou Military Command of the PLA

Date: January 23, 2017 (Phone number: +86+13682253550)

Key Point of Investigation Results: The waiting time is about a month. “There are now temporarily four hospitals in Guangzhou [doing liver transplant]. Our General Hospital, two hospitals affiliated with Sun Yat-sen University, and in Zhongshan, China Southern Airlines Hospital, a total of four hospitals.” “[The use of organs from death-row inmates and (Falun) Gong practitioners] was legal before, now it is not illegal either, but now there is state regulation saying it can’t be done. It does not work when the state says no. It is not an issue of legality.”

(Download Recording 4 [MP3](#); Transcript Download: [Addendum 56](#))

Investigative Recording 5

Investigation Subject: Doctor Zhao Jiqiang¹², Liver Transplant, General Hospital of Guangzhou Military Command of the PLA

Date: March 3, 2017 (+86+ 18002262868)

Key Point of Investigation Results: “[In terms of liver transplantation,] our hospital is one of the top three organ transplant centers in southern China.” “[inmates and (Falun) Gong practitioners] have all been abolished, no more. There are still a lot [of liver transplants], in comparison with the previous situation.”

(Download Recording 5 [MP3](#); Transcript Download: [Addendum 57](#))

VII. List of Responsible Persons

GZJZ001 Hu Weilie, Male



Profile: Chief Urologist, Director of Urology, Head of Discipline, Director of Military Urology Institute

He graduated from the Fourth Military Medical University in 1985 and has been practicing urology since then. He received his master's degree from the Second Military Medical University in 1991 (supervisor: Prof. Ma Yongjiang) and his doctoral degree from Zhongshan Medical University in 1998 (supervisor: Prof. Mei Hua). In 2004, he went to Southern California University for a short period of study as a participant of the national "Urology Project". In 1999, he was a visiting scholar at Baylor College of

Medicine in the U.S.A. In 2004, he went to Southern California University for a short period of time as a participant of the National Urology Program. In 2006, he was invited to give a speech at the first Chinese language session of the 100th Annual Meeting of American Urology in Atlanta, and in 2007, he was included in the history of urology in China. In September 2005, he performed the first penile transplantation in the world and achieved initial success, which caused a sensation in China and abroad and was widely reported¹³.

GZJZ002 Lu Jun, Male



Profile: Chief Urologist

He graduated from college in 1984, received his master's degree in 1989, and received his Ph.D. degree from Tongji Medical University in 2007 (supervisor: Prof. Zhangqun Ye).



追查迫害法輪功國際組織 (追查國際)

World Organization to Investigate the Persecution of Falun Gong (WOIPFG)

To investigate the criminal conduct of all institutions, organizations, and individuals involved in the persecution of Falun Gong; to bring such investigation, no matter how long it takes, no matter how far and deep we have to search, to full closure; to exercise fundamental principles of humanity; and to restore and uphold justice in society

Engaged in kidney transplantation. Conducted research on the basic and clinical aspects of adrenal transplant¹⁴.

GZJZ003 Nie Haibo, Male



Profile: Deputy Chief Physician of Urology. He is currently the deputy director of Guangzhou Military Region Organ Transplant Society and the standing committee member of Guangdong Organ Transplant Society. He has been engaged in kidney transplantation for 19 years. He completes more than 100 kidney transplants each year¹⁵.

GZJZ004 Zhang Lizhao, Male



Profile: Attending Urologist, Lecturer. Engaged in routine urological procedures such as kidney transplantation, kidney transplant rejection, delayed recovery of transplanted kidney function¹⁶.

GZJZ005 Huo Feng, Male



Profile: Chief Physician of Hepatobiliary Surgery. He has been engaged in clinical work in hepatobiliary surgery for 25 years. Specialized in end-stage liver disease liver transplant¹⁷.

GZJZ006 Zhan Shilin, Male



Profile: Chief physician of hepatobiliary surgery, member of organ transplant committee. He graduated from the People's Liberation Army General Hospital as a postgraduate student. He is specialized in liver transplant¹⁸.

GZJZ007 Pu Miaoshui, Male



Profile: Deputy Chief Physician of Hepatobiliary Surgery, Member of Organ Transplant Committee. He has studied applied clinical anatomy of liver under Professor Shizhen Zhong, a renowned clinical anatomist and member of the Chinese Academy of Engineering. Specialized in in situ liver transplant for end-stage liver disease¹⁹.

GZJZ008 Wang Zhaoping, Male



Profile: Deputy Chief Physician of Hepatobiliary Surgery; Member of Standing Committee of Guangzhou Military Region Organ Transplantation Society, Member of Guangdong Provincial Organ Transplant Professional Committee. In recent years, he is mainly engaged in end-stage liver disease liver transplant and post-operative follow-up rehabilitation²⁰.



追查迫害法輪功國際組織 (追查國際)

World Organization to Investigate the Persecution of Falun Gong (WOIPFG)

To investigate the criminal conduct of all institutions, organizations, and individuals involved in the persecution of Falun Gong; to bring such investigation, no matter how long it takes, no matter how far and deep we have to search, to full closure; to exercise fundamental principles of humanity; and to restore and uphold justice in society

GZJZ009 Chen Jianxiong, Male

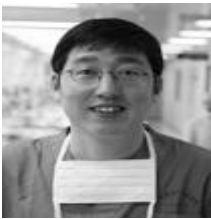
Profile: Deputy Chief Physician of Hepatobiliary Surgery, Member of the Organ Transplant Committee of Guangdong Liver Disease Society. He has been engaged in clinical work and research of hepatobiliary surgery for 16 years. Specialized in liver transplant²¹.

GZJZ010 Zhang Weida, Male



Profile: Director of Cardiac Surgery Center. He was the Deputy Director of Cardiovascular Surgery Center of the First Affiliated Hospital of the Fourth Military Medical University, Chief Physician, Professor and Postgraduate Instructor, and the Director of Cardiac Surgery Center of General Hospital of Guangzhou Military Command of the PLA in 2006. Completed 29 cases of heart transplant²².

GZJZ011 Wang Xiaowu, Male.



Profile: Deputy Director of Cardiovascular Surgery Center, Chief Physician. Graduated from the Fourth Military Medical University with a clinical medical degree in cardiovascular surgery. He studied in Singapore to learn the surgical treatment of coronary heart disease. As the main person in charge, he participated in the first heart transplant and combined heart-lung transplant in Northwest China. He has participated in 27 cases of heart transplant²³.

GZJZ012: Ma Tao, Male



Profile: Deputy Chief Physician of Cardiovascular Surgery. He received his undergraduate degree from the Medical Department of the Fourth Military Medical University in 1992, and received his master's and doctoral degrees in surgery (cardiovascular surgery) from the Graduate School of the Fourth Military Medical University in 1997 and 2005, respectively. He has been working in Tangdu Hospital and Xijing Hospital of the Fourth Military Medical University for more than ten years. In 2006, he went to the German Heart Center (Berlin) for professional study. He also participated in many cases of heart procurement for heart transplant, surgery, post-operative monitoring, etc²⁴.

GZJZ013 Peng LiangHong, Male



Profile: Attending Ophthalmologist. Graduated from the Second Military Medical University with a doctorate degree. Engaged in corneal transplantation, etc.²⁵

WOIPFG's Investigative Report on the Alleged Organ Harvesting of Living Falun Gong Practitioners at the PLA General Hospital (aka. the PLA No. 301 Hospital) and Its Staff Members Suspected of Participation

Preface



追查迫害法輪功國際組織 (追查國際)

World Organization to Investigate the Persecution of Falun Gong (WOIPFG)

To investigate the criminal conduct of all institutions, organizations, and individuals involved in the persecution of Falun Gong; to bring such investigation, no matter how long it takes, no matter how far and deep we have to search, to full closure; to exercise fundamental principles of humanity; and to restore and uphold justice in society

The Liver Transplant Center of Chinese PLA General Hospital & Medical School (the 301 Hospital) undertakes liver transplant tasks for leaders at the central, provincial, and ministerial levels and in the military. The center has developed rapidly with a large transplant scale, strong liver and kidney transplant teams, many ward beds, and dubious source of organs. It can provide multiple donors for one patient with a guaranteed liver replacement within a week. It also provides organs to local hospitals and can also select organs. In the general context of the CCP's state crime of live organ harvesting, the hospital is suspected of being involved in the crime of live organ harvesting of Falun Gong practitioners and other groups.

I. Hospital Overview

The PLA General Hospital (PLA No. 301 Hospital) is the largest comprehensive hospital in the military, the PLA Medical College²⁶, and one of the country's important health care bases.²⁷ Founded in 1953, 301 Hospital is a large modern comprehensive hospital that integrates medical treatment, health care, teaching and scientific research. The hospital is an important health care base for the Central Committee of the Communist Party of China, and it is charged with the tasks of providing medical care to officers and soldiers with the military commission and general departments, and diagnosing and treating difficult diseases referred or sent by various military regions. The hospital is also a PLA medical school, with postgraduate education as the main focus, and is the only hospital-run school unit in the army.²⁸

The International Medical Center of the hospital is a health care base for high-level CCP officials, and has long been responsible for the health care of the leaders of the Central Committee of the Communist Party of China, the Central Military Commission and the general departments, as well as the leaders of the military regions and some senior level cadres. The International Medical Center of PLA General Hospital is under the Clinical Department of the South Building. Located in the southwest side of the General Hospital, the center is a 7-story modern building with a total construction area of 20,000 square meters.²⁹

II. The large transplantation department and its fast development

The hepatobiliary surgery department of the hospital is the largest hepatobiliary surgery center in North China, with a first-class liver transplantation center, and is a research institute of hepatobiliary surgery of the whole army, a national key discipline, a hepatobiliary surgery hospital of the PLA General Hospital, and a research department and a key laboratory of the army.³⁰

1. The hospital hepatobiliary surgery is the hepatobiliary surgery research institute of the military, national key disciplines, with the army's key laboratory, and the army's "the most important" developing disciplines

The Hospital's Liver Transplant Center is a first-class liver transplant center with multidisciplinary interaction developed and established on the basis of the General Hospital's Hepatobiliary Surgery Department. The center also undertakes liver transplantation and hepatobiliary surgery health care tasks for leaders at the central, provincial, ministerial and army commander and above levels.³¹

In March 2006, the PLA General Logistics Department and the PLA General Hospital, in order to strengthen central health care and accelerate the development of the center's liver transplantation, specially transferred liver transplantation expert, the Third Military Medical University Southwest Hepatobiliary Surgery Hospital President Dong Jiahong to 301 Hospital as director of the Liver and Biliary Surgery Liver Transplantation Center, and the PLA General Hospital Hepatobiliary Surgery Hospital President. Following Dong Jiahong's transfer to 301 Hospital, the hospital's liver transplantation developed extremely fast.³²



追查迫害法輪功國際組織 (追查國際)

World Organization to Investigate the Persecution of Falun Gong (WOIPFG)

To investigate the criminal conduct of all institutions, organizations, and individuals involved in the persecution of Falun Gong; to bring such investigation, no matter how long it takes, no matter how far and deep we have to search, to full closure; to exercise fundamental principles of humanity; and to restore and uphold justice in society

2. The hardware of the transplantation department continues to expand

According to the official website of 301 Hospital in 2016, the Department of Urology, currently divided into four wards, has 140 beds.³³ The hospital's Hepatobiliary Surgery Department now has five wards: liver, biliary tract, pancreas, liver transplantation and minimally invasive surgery, and intensive care, with 172 unfolded beds. The hepatobiliary surgery department has no less than 5-8 surgeries per day. Given the current ward constraints, it is difficult to better arrange for more difficult patients to be hospitalized in time for surgery.³⁴ Back in 2007, according to Xinhua News Agency, the hospital was stepping up the construction of a new ward building, which was estimated to expand the hepatobiliary surgery department to more than 200 beds by the end of the year.³⁵

3. Contact and exchange visits with many international organ transplantation institutions

The Hepatobiliary Surgery Department of the hospital is the Hepatobiliary Surgery Center of the Chinese People's Liberation Army. The liver transplantation center of the hospital has been in regular exchange visits and academic exchanges with internationally renowned institutions such as the University of Paris XI Hepatobiliary Center in France, Starzl TE Transplantation Institute of Pittsburgh Medical Center in the United States, National Liver Transplantation Center of the University of Melbourne in Australia and the Department of Hepatobiliary and Pancreatic Surgery of the University of Hong Kong.³⁶ Professor Wu Mengchao, Professor Wang Zhengguo, Professor Cheng Tianmin, Professor Tang Zhaoyou, Professor Cheng Shusen, Professor Liu Yunyi (Hong Kong), Professor Fan Shangda (Hong Kong) and Professor Chen Zhaolong (Taiwan), all internationally well known in hepatobiliary surgery, were hired as honorary professors of the department.³⁷

III The hospital participated in the Beijing Organ Transplant Matching Center

Beijing Organ Transplant Matching Center is composed of Beijing Friendship Hospital, 301 Hospital of the People's Liberation Army, Beijing Chaoyang Hospital, China-Japan Friendship Hospital and Peking Union Medical College Hospital, which are affiliated with the Central Ministry of Health, Chinese Academy of Medical Sciences, PLA and Beijing 4 major systems, to realize kidney transplant networking and kidney sharing, and to achieve unified and rapid information exchange and transmission among the hospitals participating in the networking.³⁸

The urology department of the hospital is well-equipped and advanced. It has a transplant center and a renal transplant hemodialysis unit.³⁹ The hospital claims that its renal transplant technology is always at the leading level in China.⁴⁰

IV. The hospital has a strong team of liver and kidney transplant doctors, which shows that the hospital's real transplant volume is huge.

According to the hospital's official website in 2016, urology has 29 doctors, 34 nursing and technical staff, including 14 senior titles, 2 doctoral supervisors, 3 master's supervisors. The department's kidney transplantation technology is always at the leading level in China.⁴¹

The Hospital's Hepatobiliary Surgery Department is the largest hepatobiliary surgery center in North China, with one academician, eight doctoral and master's supervisors, and 24 senior title staff, more than 80% of whom have doctoral degrees.⁴² Multiple liver and kidney transplant teams can be formed. See the list of responsible persons.



追查迫害法輪功國際組織 (追查國際)

World Organization to Investigate the Persecution of Falun Gong (WOIPFG)

To investigate the criminal conduct of all institutions, organizations, and individuals involved in the persecution of Falun Gong; to bring such investigation, no matter how long it takes, no matter how far and deep we have to search, to full closure; to exercise fundamental principles of humanity; and to restore and uphold justice in society

<http://www.301hospital.com.cn/web/ksabout/65.html>

Screengrab

肝胆外科简介

您现在的位置：首页 >> 科室导航 >> 肝胆外科 >> 科室简介

一、基本情况

解放军总医院肝胆外科是成立于1989年，在学术带头人黄志强院士的指导下，经过历任主任刘永雄、冯玉泉、周宁新、董家鸿的领导，不断发展壮大，目前已成为我国华北地区最大的肝胆外科专科中心。是解放军总医院重点发展学科（1992年）、医学博士学位授权单位（1994年）、医学博士后流动站（1996年）、全军肝胆外科研究所（2003年）、国家重点培育学科（2007年）、北京市重点学科（2008年）、解放军总医院肝胆外科医院和研究型科室（2009年）和军队重点实验室（2010年）。肝胆外科现设肝脏、胆道、胰腺、肝脏移植与微创外科、重症监护五个病区，展开床位172张，2013年完成收治4022例、手术量3260例。现拥有院士1人，博士研究生导师5人，硕士生导师3人，医疗和科研高级职称人员24人，80%以上具有博士学位。

Figure 1 Snapshot of PLA 301 Hospital Website

V. Plenty of organ donors

1. PLA General Hospital provides organs for local hospitals, and the organs provided can be selected for the best match

Yiyang City People's Hospital kidney transplantation department said: "We have the full cooperation from the general hospital of the People's Liberation Army and the First Military Medical University Hospital kidney transplantation center. We select the best kidney. We conduct a comprehensive examination of the donor kidney in advance, and exercise strict control to ensure the most appropriate donor kidney selected."⁴³

2. The hospital can provide multiple donors for one patient

Field investigation: Beijing 301 Hospital kidney patients said that there's a patient who, after receiving kidney transplant surgery, found the organ was not functioning well. So it was taken out and another kidney was transplanted. And this second one was not working well either, so the doctor immediately found a third one. So a total of three kidneys were used for this one patient."⁴⁴

3. The hospital organ transplantation surgery is frequent

According to some of the medical staff at the operating room of the PLA 301 General Hospital in Beijing, organ transplants are their most frequent and common, almost every day, so the medical staff there actually see and consider organ transplants, such a big operation, as a very simple matter. And the army authorities often told medical staff at meetings not to divulge the matter to the public.⁴⁵

4. The hospital guarantees a liver replacement within a week

Investigation clues: Beijing 301 Hospital guarantees to replace the liver within a week

The insider revealed: I am from Zhengzhou, a friend of a colleague of mine has liver cancer and needs a liver replacement. In the middle of July, he was hospitalized in Beijing 301 Hospital, and the doctors there guaranteed that the liver could be replaced within a week, and the cost was 350,000 yuan. Since the doctor could guarantee to replace the liver within one week, so my colleagues said that it was unbelievable. This shows that the hospital has a huge human organ bank of living donors.⁴⁶



追查迫害法輪功國際組織 (追查國際)

World Organization to Investigate the Persecution of Falun Gong (WOIPFG)

To investigate the criminal conduct of all institutions, organizations, and individuals involved in the persecution of Falun Gong; to bring such investigation, no matter how long it takes, no matter how far and deep we have to search, to full closure; to exercise fundamental principles of humanity; and to restore and uphold justice in society

VI. List of responsible persons.

JFJZ001 Dong Jiahong, male. Place of birth: Huai'an City, Jiangsu Province. Date of birth March 8, 1960.



Biography: Director of Liver Transplantation Center. Fellow of the American College of Surgeons (FACS), Standing Member of the International Society of Gastroenterology and Surgery, Vice President of the International Society of Hepatobiliary and Pancreatic Surgery, China, Standing Member of the Chinese Society of Surgery, Standing Member of the Chinese Society of Organ Transplantation, Director of Biliary Surgery of the Chinese Society of Surgery, former Director of Hepatobiliary Surgery of the PLA General Hospital, Doctoral Supervisor, the director of the Southwest Hepatobiliary Surgery Hospital of the Third Military Medical University, the director of the National Key Discipline of General Surgery of the Third Military Medical University, and the professor, special professor and doctoral supervisor of many famous universities such as Nankai University and Shandong University. Executive Director of Tsinghua Changgong Hospital in Beijing.⁴⁷

From 2006.1 to 2013.12, he served as the director of the Department of Hepatobiliary Surgery of Beijing 301 Hospital and the All Army Institute of Hepatobiliary Surgery. Now he is the Executive President of Tsinghua Chang Gung Hospital in Beijing, Chairman of the Academic Committee, Professor and Doctoral Supervisor, specializing in precision surgical treatment of hepatobiliary and pancreatic diseases, and liver transplantation. On November 27, 2017, he was elected as a member of the Chinese Academy of Engineering.

He has long been engaged in the clinical treatment of liver transplantation and hepatobiliary surgical diseases. He has completed more than 700 cases of various clinical liver transplantation such as living partial liver transplantation and split liver transplantation under his main supervision.⁴⁸

He has implemented a serial management model of liver transplantation, perioperative management and long-term post-transplant follow-up, focusing on long-term survival outcomes after liver transplantation.

JFJZ002 Lu Shi-Chun, Male.



Biography: Postdoctoral and doctoral supervisor, chief physician, professor, famous hepatobiliary surgery specialist. He is the Director of Hepatobiliary Surgery in the Clinical Department of Surgery of the General Hospital of the Chinese People's Liberation Army. He is a member of the editorial board of Chinese Journal of Surgery, Chinese Journal of Hepatobiliary Surgery, Chinese Journal of Organ Transplantation and other ten domestic and international journals.

In 2004, he was introduced by the West China Hospital of Sichuan University to Beijing Youan Hospital of Capital Medical University as the director of the Hepatobiliary Surgery and Liver Transplantation Center and the Sino-US Liver Transplantation Collaboration Center. He is currently the Director of the Department of Hepatobiliary Surgery, Clinical Department of Surgery, General Hospital of the Chinese People's Liberation Army.

He received his PhD in abdominal surgery and organ transplantation from Freiburg University in Germany from 1992 to 1995.

During his tenure, he has performed more than 700 liver transplants (including adult and pediatric living liver transplants) and more than 2,000 other major hepatobiliary and pancreatic surgeries. He is involved in hepatobiliary surgery for benign and malignant diseases, end-stage liver disease and liver transplantation for



追查迫害法輪功國際組織 (追查國際)

World Organization to Investigate the Persecution of Falun Gong (WOIPFG)

To investigate the criminal conduct of all institutions, organizations, and individuals involved in the persecution of Falun Gong; to bring such investigation, no matter how long it takes, no matter how far and deep we have to search, to full closure; to exercise fundamental principles of humanity; and to restore and uphold justice in society

acute liver failure. His main research interests are hepatobiliary diseases, transplantation and clinical immunology.⁴⁹

JFJZ003 Kai Jiang, Male.

Biography: Director of Hepatobiliary, Pancreatic and Splenic Surgery, The First Affiliated Hospital of PLA General Hospital; Administrative Deputy Director of Hepatobiliary Surgery, PLA General Hospital.

He studied under the famous hepatobiliary surgery expert in China, Academician Huang Zhiqiang. He studied living liver transplantation at the Queen Mary Hospital of the University of Hong Kong (Prof. S.T. Fan) and European experience in liver cancer treatment at the Clinic of the University of Barcelona (Prof. J.M. Llovet and J. Bruix).

Clinical and experimental research in hepatobiliary and pancreatic surgery, supervisor of the master's degree at the PLA Medical School.⁵⁰

JFJZ004 Ao Jianhua, female. Date of birth: 1953.⁵¹



Biography: Chief Physician (Professor) of Urology, member of the All Army Organ Transplantation Committee, Member at Deputy Director level of the Organ Transplantation Committee of the Beijing Branch of the Chinese Medical Association. Editorial board member of Chinese Journal of Organ Transplantation.

She graduated from the Second Military Medical University and studied renal transplantation and hemodialysis at Lund University Hospital in Sweden. She has been practicing in the above-mentioned specialties since 1982 and is mainly responsible for kidney transplant tissue matching, perioperative and postoperative anti-rejection follow-up, and related hemodialysis work. She has been at her work for over 25 years.⁵²

JFJZ005 Dong Jun, Male.



Biography: MD in Urology, Chief Physician, Associate Professor. He is a young member of Chinese Organ Transplantation Committee Beijing Branch.

He graduated from the Second Military Medical University with a Bachelor of Medicine degree in 1986, graduated from the Military Medical Training College with a Master of Medicine degree in 1991, and graduated from Peking University Medical School with a Doctor of Medicine degree in 2005.

From October 1997 to October 1999, he was sponsored by the State Education Commission to study in the United Kingdom for two years, working and studying at King's College, University of London, where he conducted basic research on kidney transplantation. In 2005, he received training in urological oncology techniques at Norris Oncology Center, University of Southern California, USA. In the same year, he was trained in the clinical aspects of kidney transplantation at the University of Wisconsin Medical School, USA.

Since 1996, he has independently performed more than 500 kidney transplants (including living relative donor kidney transplants). As the attending physician, he is fully in charge of kidney transplantation in the



追查迫害法輪功國際組織 (追查國際)

World Organization to Investigate the Persecution of Falun Gong (WOIPFG)

To investigate the criminal conduct of all institutions, organizations, and individuals involved in the persecution of Falun Gong; to bring such investigation, no matter how long it takes, no matter how far and deep we have to search, to full closure; to exercise fundamental principles of humanity; and to restore and uphold justice in society

Department of Urology, PLA General Hospital.⁵³

JFJZ006 Cai Wei, Male. Date of birth: 1956.



Personal Profile: Chief Physician of Urology (Professor)

Graduated from China Medical University in 1983, he became a surgeon at the PLA General Hospital, and in 1985 began to specialize in urology.

He specializes in surgeries in autologous kidney transplantation and allogeneic kidney transplantation.⁵⁴

JFJZ007 Jinshan Lu, Male.



Personal Profile: Deputy Chief Physician

He graduated from the Second Military Medical University in 1990, focusing on clinical work in genitourinary system diseases and kidney transplantation. In 1999, he went to the National Institute of Nephrology (General Hospital of Nanjing Military Region) to study under Academician Leishi Lai and Professor Huiping Chen for renal pathology research, focusing on transplanted kidney puncture biopsy and pathological diagnosis techniques.

He has also worked on kidney transplantation and related surgeries; post-transplantation immunosuppressive drug adjustment and diagnosis and treatment of recent and long-term complications and difficult diseases.⁵⁵

FJZ008 Zhang Xu, Male.



Biography: Director of the Department of Urology, General Hospital of the Chinese People's Liberation Army, Professor, Chief Physician, Master and Doctoral Supervisor

He graduated from Tongji Medical University (now Tongji Medical College of Huazhong University of Science and Technology) in 1983, received his master's degree in 1989 and stayed in Wuhan Tongji Hospital, studied at Heidelberg University Surgical Hospital in Germany as a visiting scholar in surgery from 1999 to 2000, was promoted to professor, chief physician and qualified as master's supervisor in 2000, became deputy director of urology department in Tongji Hospital in 2001. He received his M.D. degree in 2002 and Ph.D. supervision in 2003, and was transferred to the Chief of Urology Department of PLA General Hospital in 2008.

From 1999 to 2000, he went to Germany to study at the University Hospital of Surgery in Heidelberg as a visiting scholar in surgery.⁵⁶

JFJZ009 Song Tao, Male.



Biography: Chief physician and professor of urology at the General Hospital of the Chinese People's Liberation Army.

He graduated from the First Military Medical University in 1988, and started his specialty in urology at the PLA General Hospital in the same year. After 1997, he also engaged in clinical research in men's medicine; he received his clinical doctorate degree from Beijing University.⁵⁷

Specialized in kidney transplantation.⁵⁸

FJZ010 He Xueyou, Male.



追查迫害法輪功國際組織 (追查國際)

World Organization to Investigate the Persecution of Falun Gong (WOIPFG)

To investigate the criminal conduct of all institutions, organizations, and individuals involved in the persecution of Falun Gong; to bring such investigation, no matter how long it takes, no matter how far and deep we have to search, to full closure; to exercise fundamental principles of humanity; and to restore and uphold justice in society



Profile: Deputy Chief Physician, Department of Urology, PLA General Hospital
Graduated from the Fourth Military Medical University with a bachelor's degree.⁵⁹

Specialized in kidney transplantation.⁶⁰

JFJZ011 Li Yantang, Male. Date of birth: June 16, 1932.



Biography: Chief Physician (Professor) of PLA General Hospital, Standing Member of Chinese Society of Urology and Chinese Society of Organ Transplantation, Vice Chairman of Urology Society and member at director level of Organ Transplantation Society of Chinese Medical Association Beijing Branch. He is also a member of the European Society for Organ Transplantation and graduated from Harbin Medical University in 1956.

Fellowship in Urology, Harvard Medical School, USA, Postdoctoral Fellowship, Baylor College of Medicine, Houston, USA.

Kidney transplantation.⁶¹

JFJZ012 Xiaoxiong Wang, Male.



Profile: Member of the expert group of the General Hospital of the Chinese People's Liberation Army, chief physician of urology, professor, doctoral supervisor. He is currently a consultant of the National Military Urology Committee and an expert of the Central Health Care Consultation. He is a standing member of the Committee of Urology Branch of Chinese Physicians Association, Standing member on the Editorial Committee of Chinese Journal of Urology, Special member on the Editorial Committee of Chinese Journal of Surgery and Chinese Medical Journal, Honorary Member of the 8th Science and Technology Committee of PLA General Hospital, Expert of National and Military Drug Review Bank, Member of International Association of Urology.

He has long been engaged in medical care for the heads of the Central Government and the Central Military Commission.

From September 1983 to December 1984, he was engaged in bladder cancer research at Kyoto National University, Japan.⁶²

From October 1977 to December 2004, he participated in the implementation of 1804 cases (2037 cases) of kidney transplantation performed in this hospital.⁶³

JFJZ013 Lei Zhang, Male.



Biography: Chief Physician, PLA General Hospital
Graduated from Baiqiu'en Medical University.⁶⁴

From October 1977 to December 2004, he participated in the implementation of 1804 cases (2037 cases) of kidney transplantation performed in this hospital.⁶⁵



追查迫害法輪功國際組織 (追查國際)

World Organization to Investigate the Persecution of Falun Gong (WOIPFG)

To investigate the criminal conduct of all institutions, organizations, and individuals involved in the persecution of Falun Gong; to bring such investigation, no matter how long it takes, no matter how far and deep we have to search, to full closure; to exercise fundamental principles of humanity; and to restore and uphold justice in society

JFJZ014 Yong Yang, Male.



Personal Profile: Deputy Chief Physician, PLA General Hospital
From October 1977 to December 2004, he participated in the implementation of 1804 cases (2037 cases) of kidney transplantation performed in this hospital.⁶⁶

JFJZ015 Yanbin Wang, male.



Biography: Deputy Chief Physician of Hepatobiliary Surgery, Assistant to the Director of the National Institute of Field (Hepatobiliary) Surgery (Academician Huang Zhiqiang), Assistant to the Director of the Hepatobiliary Surgery Hospital of the PLA General Hospital (Dong Jiahong).

He graduated from the First Military Medical University of the PLA in 1986 with a bachelor's degree in medicine, and from the PLA Military Medical College in 2002 with a doctorate degree in medicine.

He is engaged in perioperative management and surgery of liver transplantation.⁶⁷

JFJZ016 Xianjie Shi, male. Date of birth: March, 1966.



Biography: Chief physician of Hepatobiliary Surgery of PLA General Hospital, professor, director of Hepatobiliary Ward, doctoral supervisor, concurrently director of Hepatobiliary Surgery of the First Affiliated Hospital of PLA General Hospital, secretary of the Party branch.

From August 1983 to July 1989 he was in a 6-year program at the Department of Military Medicine, Fourth Military Medical University, and got his Bachelor's degree.

During his work at PLA General Hospital, he was the first to carry out allogeneic liver transplantation in 2000, and has carried out a total of 500 cases including living liver transplantation to date.⁶⁸

He's good at liver transplantation related technique.⁶⁹

JFJZ017 Wei-Dong Duan, Male.



Biography: Deputy Chief Physician of Hepatobiliary Surgery, PLA General Hospital

Between January 2002 and January 2009, he participated in performing 326 in situ liver transplants and 250 donor excisions with donor heat ischemia time within 8min.⁷⁰

JFJZ018 Jianjun Leng, Male.



Biography: Deputy Chief Physician, Associate Professor, MD, All Army Hepatobiliary Surgery Institute, Hepatobiliary Surgery Hospital, General Hospital of the Chinese People's Liberation Army

From August 1989 to July 1999, he worked in the Department of Hepatobiliary Surgery, Xijing Hospital of the Fourth Military Medical University. He worked as a resident, chief resident, attending physician, and lecturer. In 1999, he studied gene protein expression and



追查迫害法輪功國際組織 (追查國際)

World Organization to Investigate the Persecution of Falun Gong (WOIPFG)

To investigate the criminal conduct of all institutions, organizations, and individuals involved in the persecution of Falun Gong; to bring such investigation, no matter how long it takes, no matter how far and deep we have to search, to full closure; to exercise fundamental principles of humanity; and to restore and uphold justice in society

gene therapy of hepatocellular liver cancer and the technique of living liver transplantation under the supervision of Prof. Kaizong Li and Prof. Kefeng Dou in the Hepatobiliary Surgery Department of the First Hospital of the Fourth Military Medical University.

He specializes in surgical treatment of hepatobiliary, pancreatic and splenic diseases, especially pancreatic cancer, bile duct cancer, obstructive jaundice, selection of liver transplantation indications, liver transplantation surgery and postoperative management.⁷¹

JFJZ019 Wenbin Ji, male. Date of birth: 1965.



Profile: Deputy Chief Physician of Hepatobiliary Surgery

From August 1999 to January 2002 he was doing postdoctoral work in Hepatobiliary Surgery, PLA General Hospital, under the guidance of Academician Zhiqiang Huang, he was engaged in basic and clinical research on techniques related to perioperative management of liver transplantation and transplantation immune tolerance.⁷²

He participated in the first liver transplant in 2000 at the PLA General Hospital, and has participated in and performed more than 400 liver transplants including pro-transplantation, re-transplantation, combined liver and kidney transplantation, volume reduction transplantation, split liver transplantation, and other types of liver transplantation.⁷³

JFJZ020 Yurong Liang, Male.



Profile: Deputy Chief Physician, Associate Professor of Hepatobiliary Surgery, PLA General Hospital

From August 2002 to July 2003, he was an attending physician and lecturer at Hepatobiliary Surgery Department, PLA General Hospital.

From January 2002 to January 2009, he was involved in performing 326 in situ liver transplants and 250 donor resections, with donor heat ischemia time within 8min.⁷⁴

He specialized in rejection and perioperative treatment after liver transplantation.⁷⁵

JFJZ021 Zhiming Zhao, Male.

Biography: Chief physician of Hepatobiliary and Pancreatic Oncology Surgery, PLA General Hospital, M.D.



From July 2011 to the present, Chief Physician, Professor, Director of Hepatobiliary Ward, Doctoral Supervisor, Director of Hepatobiliary Surgery, Party Branch Secretary, the First Affiliated Hospital of PLA General Hospital.

From August 1983 to July 1989, he was in a 6-year Bachelor's Degree program, Department of Military Medicine, Fourth Military Medical University.

He specializes in liver transplantation.⁷⁶

JFJZ022 Ying Luo, Male.



Profile: Associate Professor, Deputy Chief Physician, All Army Hepatobiliary Surgery Institute, PLA General Hospital



追查迫害法輪功國際組織 (追查國際)

World Organization to Investigate the Persecution of Falun Gong (WOIPFG)

To investigate the criminal conduct of all institutions, organizations, and individuals involved in the persecution of Falun Gong; to bring such investigation, no matter how long it takes, no matter how far and deep we have to search, to full closure; to exercise fundamental principles of humanity; and to restore and uphold justice in society

From August 1989 to July 1999, he worked in the Department of Hepatobiliary Surgery, Xijing Hospital of the Fourth Military Medical University. He worked as a resident, chief resident, attending physician, and lecturer. In 1999, he studied gene protein expression and gene therapy of hepatocellular liver cancer under the supervision of Prof. Kaizong Li and Prof. Kefeng Dou at the Hepatobiliary Surgery Department of the First Affiliated Hospital of the Fourth Military Medical University, and received his Ph.D.

Between January 2002 and January 2009, he participated in performing 326 in situ liver transplants and 250 donor excisions with donor heat ischemia time within 8 min.⁷⁷

He specializes in liver transplantation for hepatitis B-related liver disease, and prevention and treatment of biliary complications after liver transplantation.⁷⁸

JFJZ023 Zhiqiang Huang, Male.



Biography: Chief Physician (Professor and Researcher) of Hepatobiliary Surgery, PLA General Hospital, Professor of Surgery, PLA General Hospital, Military Medical Training College, Doctoral Supervisor, Chairman of Science and Technology Committee of Military Medical Training College, Director of Institute of General Surgery, Senior Member of Chinese Medical Association, Member of International Surgical Association, Advisor of Editorial Board of Chinese Journal of Surgery, Advisor of Chinese Surgical Committee, Chinese Surgical

From August 1999 to January 2002, he was a clinical postdoctoral fellow in the Department of Hepatobiliary Surgery of the PLA General Hospital. He conducted basic and clinical research on perioperative management of liver transplantation and transplantation immune tolerance under the supervision of Academician Zhiqiang Huang. He finished his work as a postdoc fellow and started to work as assistant to director of Liver Transplantation.⁷⁹

JFJZ024 Yifei Huang, Male. Date of birth: 1956.



Biography: Professor and Chief Physician of Ophthalmology, PLA General Hospital, Doctoral Supervisor, enjoys national government special allowance.

From August 2003 to June 2011, he was Deputy Chief Physician and Associate Professor of Hepatobiliary Surgery, PLA General Hospital, Assistant Director of Liver Transplantation Center, PLA General Hospital, and Master's Degree Supervisor.⁸⁰

Skilled in various surgical techniques in ophthalmology, such as: corneal transplantation, ocular surface reconstruction (including corneal rim stem cell transplantation, amniotic membrane transplantation), etc.

JFJZ025 Liqiang Wang, female. Date of birth: 1971.



Profile: Deputy Chief Physician of Ophthalmology, PLA General Hospital

From July 2011 to the present, Chief Physician of Hepatobiliary Surgery, Professor, Director of Hepatobiliary Ward, Doctoral Supervisor, and Director of Hepatobiliary Surgery, Party Branch Secretary of the First Affiliated Hospital of PLA General Hospital.

From April 2002 to July 2002, she studied in Hepatobiliary and Pancreatic Surgery, Queen Mary Hospital, University of Hong Kong.



追查迫害法輪功國際組織 (追查國際)

World Organization to Investigate the Persecution of Falun Gong (WOIPFG)

To investigate the criminal conduct of all institutions, organizations, and individuals involved in the persecution of Falun Gong; to bring such investigation, no matter how long it takes, no matter how far and deep we have to search, to full closure; to exercise fundamental principles of humanity; and to restore and uphold justice in society

During her work at PLA General Hospital, she was the first to carry out allogeneic liver transplantation in 2000, and has carried out a total of 500 cases including living liver transplantation to date.⁸¹

She is skilled in various surgical techniques in ophthalmology, such as corneal transplantation, artificial cornea implantation, cataract ultrasound emulsification combined with IOL implantation, ocular surface reconstruction, etc.

JFJZ026 Kun Zhang, Male. Date of birth: 1970.



Biography: Deputy Chief Physician of Ophthalmology, PLA General Hospital

Corneal transplantation.⁸²

WOIPFG's Investigative Report on the Alleged Organ Harvesting of Living Falun Gong Practitioners at Army Medical Center of PLA (formerly Daping Hospital Affiliated with Third Military Medical University) and Its Staff Members Suspected of Participation

Address: 10 Changjiang Branch Road, Daping, Yuzhong District, Chongqing

Preface

The Hospital is one of the affiliated hospitals of the military medical universities that implements Jiang Zemin's order to harvest organs from living Falun Gong practitioners. It is also the only institution in the Chinese People's Liberation Army that combines a hospital and a research institute. Yin Zhiyong, Zhao Hui, and Wang Zhengguo, doctors at the hospital, and Wang Lijun, the former Director of the Chongqing Public Security Bureau, developed a primary brain stem injury impacting machine, which is considered to be a tool to cause brain death in living people and is most likely to be used for live organ harvesting. This impacting machine is patented, and these people are co-inventors on the patent. Given the background of the CCP's national crime of live organ harvesting, this hospital is suspected of participating in the crime of live organ harvesting from Falun Gong practitioners and other groups.

I. Hospital Overview

Army Medical Center of PLA (formerly Daping Hospital Affiliated with Third Military Medical University) is the only institution in the Chinese People's Liberation Army that combines a hospital and a research institute, integrating medical treatment, teaching, and scientific research. The hospital ranks among the first batch of Grade-A Tertiary Hospitals in China and the first batch of designated hospitals to serve foreigners in Chongqing. The Hospital has 69 specialized departments, more than 1,800 ward beds, and nearly one million outpatient visits per year. It currently has more than 2,000 staff members, of whom nearly 200 have senior technical titles, including academicians of the Chinese Academy of Engineering and distinguished professors of the Yangtze River Scholars Program⁸³.

II. According to Bai Shuzhong, Director of the Department of Health of the General Logistics Department of the PLA, the Hospital is a major one executing live organ harvesting in the military.



追查迫害法輪功國際組織 (追查國際)

World Organization to Investigate the Persecution of Falun Gong (WOIPFG)

To investigate the criminal conduct of all institutions, organizations, and individuals involved in the persecution of Falun Gong; to bring such investigation, no matter how long it takes, no matter how far and deep we have to search, to full closure; to exercise fundamental principles of humanity; and to restore and uphold justice in society

Bai Shuzhong, who served as the Director of the Department of Health of the General Logistics Department of the PLA from 1998 to 2004, once admitted to WOIPFG investigators that during his tenure, Jiang Zemin personally ordered live organ harvesting from Falun Gong practitioners and that the affiliated hospitals of the military medical universities were the major hospitals in the military that implement Jiang's order (recording transcript and recording download link)⁸⁴. "It was Chairman Jiang at the time." "There was an instruction, an instruction that said", "said that carrying out these things, that is, organ transplantation." He also said that "Our military medical universities can control this. The several military medical universities directly under the General Logistics Department have been repeatedly requested because at that time Jiang paid great attention to this issue and attached great importance to it."

Under the CCP's system, especially the military system, after Jiang Zemin had issued the killing order, military hospitals became important links in the entire chain of live organ harvesting. Multiple pieces of evidence support this point (see WOIPFG's investigation report for details⁸⁵). The Army Medical Center of PLA (formerly Daping Hospital Affiliated with Third Military Medical University), a military hospital, is also a key criminal institution suspected of live organ harvesting.

III. The multi-organ transplant center of the military has obvious advantages and features in kidney transplantation, etc., and the sharp increase in income from organ transplantation in this hospital is also unusual.

The Army Medical Center of PLA (formerly Daping Hospital Affiliated with Third Military Medical University) first carried out heart, liver, lung, kidney, and other large organ transplants in China. Relevant information shows that the Hospital's pediatric heart transplantation filled a gap in this field in China, and the survival time of its lung transplantation ranks second in China⁸⁶. Its Urology Department has obvious advantages and features in kidney transplantation and other aspects, and the overall technical strength of this discipline is at an advanced level in China⁸⁷.

In addition, the hospital's annual medical income has increased from 36 million yuan in the late 1990s when organ transplants first started to more than 900 million yuan in 2009, an increase of about 25 times⁸⁸.

IV. Cooperate with Wang Lijun to develop a primary brain stem injury impacting machine that can cause brain death

Yin Zhiyong, Zhao Hui, and Wang Zhengguo from the Field Surgery Research Institute of Daping Hospital Affiliated with Third Military Medical University are the main R&D members of this brain stem impacting machine.

Background introduction:

Wang Lijun, the former Director of the Chongqing Public Security Bureau, had been the Director of the Jinzhou Public Security Bureau and its On-site Psychology Research Center (OSPRC). During this period⁸⁹, OSPRC used thousands of living people to conduct organ transplantation research after drug injection. Its collaborator, the Director of the Department of Urology at PLA 205 Hospital, admitted using organs from Falun Gong practitioners.

On September 17, 2006, Wang Lijun was awarded the Guanghua Innovation Special Contribution Award by the China Guanghua Science and Technology Foundation for his research on organ transplantation after drug injection^{90 91}. He also received a scientific research grant of 2 million yuan⁹². At the award ceremony, Wang Lijun and Guanghua Foundation Secretary-General Ren Jinyang gave speeches respectively, revealing that the center has conducted injection death and organ transplantation experiments on thousands of living people. The research content includes a new formula organ preservation solution used for organ



追查迫害法轮功国际组织 (追查国际)

World Organization to Investigate the Persecution of Falun Gong (WOIPFG)

To investigate the criminal conduct of all institutions, organizations, and individuals involved in the persecution of Falun Gong; to bring such investigation, no matter how long it takes, no matter how far and deep we have to search, to full closure; to exercise fundamental principles of humanity; and to restore and uphold justice in society

transplantation after death from drug injection⁹³. In May 2012, in the name of the special investigation team on Wang Lijun, investigators from WOIPFG conducted a telephone investigation on Chen Rongshan, then Director of the Department of Urology at No. 205 Hospital. Chen Rongshan admitted that the transplant donors came from detained Falun Gong practitioners⁹⁴.

On May 22, 2006, investigators from WOIPFG conducted a telephone investigation on the department under Wang Lijun's jurisdiction, and the results of the investigation answered this question. The police of the Jinzhou City Intermediate Court [First Criminal Court] stated that they could also provide Falun Gong practitioners as kidney donors⁹⁵.

In 2009, WOIPFG released an eyewitness testimony about live organ harvesting from Falun Gong practitioners by a gun-wielding guard at the live organ harvesting site⁹⁶. The guard was a policeman working under Wang Lijun at that time. He also said that during his stay in Jinzhou, Wang Lijun gave them an absolute order that "Falun Gong must be eradicated."

After Wang Lijun became the Director of the Chongqing Municipal Public Security Bureau, in addition to establishing the On-site Psychological Research Center of Southwest University, he also participated in some other human experiments, including the invention of the primary brain stem injury impacting machine. In December 2011, Wang Lijun, as the lead inventor (other inventors are Yin Zhiyong, Zhao Hui, and Wang Zhengguo), applied for a patent for "Primary Brain Stem Injury Impacting Machine" and was granted the patent the following year. Yin Zhiyong, Zhao Hui, and Wang Zhengguo are from the Institute of Field Surgery of Daping Hospital.



(12) 实用新型专利

(10) 授权公告号 CN 202376254 U
(45) 授权公告日 2012. 08. 15

(21) 申请号 201120542042. X
(22) 申请日 2011. 12. 22
(73) 专利权人 重庆警官职业学院
地址 401331 重庆市沙坪坝区大学城景钟路
666 号
(72) 发明人 王立军 尹志勇 赵辉 王正国
(74) 专利代理机构 重庆市前沿专利事务所
50211
代理人 郭云
(51) Int. Cl.
A61D 1/00 (2006. 01)

权利要求书 1 页 说明书 3 页 附图 3 页

(54) 实用新型名称
原发性脑干损伤撞击机
(57) 摘要

本实用新型公开了一种原发性脑干损伤撞击机,在机座(1)上横向设置高速气炮(2),高速气炮(2)的右边对应设有长杆状的二次锤(3),该二次锤横向穿设在固定座(4)的安装孔中,且固定座(4)支撑在所述机座(1)上;在所述二次锤(3)的右边水平设置动物固定平台(5),该动物固定平台右边的机座(1)上竖直设有挡板(6),在所述

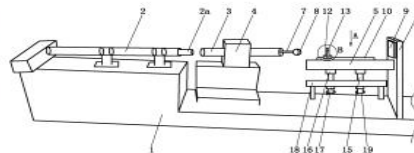


Figure 1 Part of the patent specification of the invention of "primary brain stem injury impacting machine" by Wang Lijun, etc.

The public information of the invention shows that "According to the utility model, a primary brain stem injury model of a medium-sized animal can be accurately prepared⁹⁷". However, the first paragraph of the section of "Background Technology" of the patent publication says: "Brain stem is human vital center, the important function meaning that has, and its damage often means serious head trauma. Primary brain-stem injury (primary brain stem injury) is meant and receives the damage that brain stem takes place at once after



追查迫害法輪功國際組織 (追查國際)

World Organization to Investigate the Persecution of Falun Gong (WOIPFG)

To investigate the criminal conduct of all institutions, organizations, and individuals involved in the persecution of Falun Gong; to bring such investigation, no matter how long it takes, no matter how far and deep we have to search, to full closure; to exercise fundamental principles of humanity; and to restore and uphold justice in society

the direct or indirect violence that it is common in traffic accident injury, violence is hit and hindered and Falling Injury. About 53% brain stem injury occurred among the serious head trauma personnel, is lower than 48 hours and accounts for 70% because of brain stem injury causes its time-to-live. Primary brain-stem injury accounts for 3%~5% in craniocerebral trauma, because of its dead ratio but up to 71.1%.”

This description is obviously a description of human brain death, which makes people suspect that the patented "primary brain stem injury impacting machine" is actually a machine for producing human brain death.

V. Other Biological Impacting Machines

Several doctors from the Third Affiliated Hospital of the Third Military Medical University of the Chinese People's Liberation Army (Daping Hospital) also invented another biological impacting machine.

Portable multifunctional biology impacting machine and method for obtaining impacting energy based on same⁹⁸

Application number: CN201310408039.2

Priority: no information

Application date: 2013-09-10

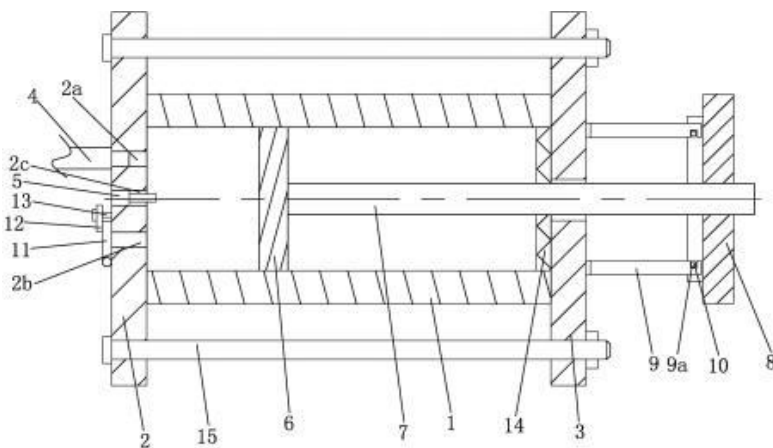
Publication/announcement number: CN103471800A

Publication/announcement date: 2013-12-25

Application/Patentee: The Third Affiliated Hospital of the Third Military Medical University of the Chinese People's Liberation Army (Daping Hospital)

Inventor/Designer: Zhao Hui; Yin Zhiyong; Ning Xin; Li Xiaoyan; Yang Guangyu; Lai Xinan; Wang Zhengguo

Main classification number: G01M7/08



This invention is introduced like this: “The invention discloses a portable multifunctional biology impacting machine. ... According to the portable multifunctional biology impacting machine, the piston is pushed to move through the pressure generated by combustion of combustible gas, and the portable multifunctional biology impacting machine has essential difference with a traditional structure that compressed air is controlled through a solenoid valve to push a primary hammer to strike a secondary hammer, a ponderous air pump is not needed, and therefore, the portable multifunctional biology impacting machine is simple and compact in structure, fast in response speed and easy to carry, enables acceleration curves to be selected



追查迫害法輪功國際組織 (追查國際)

World Organization to Investigate the Persecution of Falun Gong (WOIPFG)

To investigate the criminal conduct of all institutions, organizations, and individuals involved in the persecution of Falun Gong; to bring such investigation, no matter how long it takes, no matter how far and deep we have to search, to full closure; to exercise fundamental principles of humanity; and to restore and uphold justice in society

according to needs, has the function of one machine tow purposes, has creativity and good practicality, and can further obtain impacting energy based on biology impacting.”

VI. The hospital engaged in human experiments and was suspected of killing living people.

The co-inventors of the patent, Yin Zhiyong, Zhao Hui, and Wang Zhengguo from Daping Hospital of the Third Military Medical University, published an article titled "Finite-element Simulation Analysis of Brain Injury from Temporal Impact in Quasi-static and its Clinical Significance" in the 2nd issue of Journal of Trauma Surgery in 2008⁹⁹. The paper states that this patent is used for human brainstem death research: "As of October 2007, 12 fresh cadaver heads were used for impact experiments. The donors were all males aged 26 to 38, with an average age of 31.”

This description actually explains the research process of the impactor, which is the research process of using the impactor to impact the human brainstem to create brain injury. It is the process of killing. Because if you hit the head of the cadaver, you cannot study the extent of the brainstem damage. Therefore, the fresh corpses here is suspected to refer to living people.

What needs to be specifically explained here is that the sources of donors for these experiments are unknown.

VII. List of Responsible Persons:

D3JYDX-SY001 Zhang Keqin



Position and Title: Deputy Director of the Department of Urology, Associate Chief Surgeon, Associate Professor, Doctor of Medicine. Specialized in Kidney transplant¹⁰⁰.

D3JYDX-SY002 Nie Zhilin

Position and Title: Attending Surgeon of the Department of Urology, Lecturer, Doctor of Medicine, Leader of the Kidney Transplantation Group

Personal Profile: He was admitted to the Third Military Medical University in 1990 and graduated in 1995. In the same year, he was assigned to the Department of Urology of Daping Hospital, and received a doctorate in 2006. He specializes in kidney transplants¹⁰¹.

D3JYDX-SY003 Huo Wenqian

Position and Title: Attending Surgeon of the Department of Urology, Lecturer

Personal Profile: He graduated from the Third Military Medical University in 1998. He specializes in organ transplantation and the diagnosis and treatment of ischemia-reperfusion injury in transplanted kidney¹⁰².

D3JYDX-SY004 Yuan Gang



追查迫害法輪功國際組織 (追查國際)

World Organization to Investigate the Persecution of Falun Gong (WOIPFG)

To investigate the criminal conduct of all institutions, organizations, and individuals involved in the persecution of Falun Gong; to bring such investigation, no matter how long it takes, no matter how far and deep we have to search, to full closure; to exercise fundamental principles of humanity; and to restore and uphold justice in society



Position and Title: Attending Surgeon of the Department of Urology, Teaching Assistant

Personal Profile: He graduated from the Third Military Medical University with a bachelor's degree in clinical medicine in 2003 and a master's degree in urology in 2008. He has been engaged in the clinical work of the Urology Department and has assisted in the completion of kidney transplantation and other large-scale urology-related operations many times. During the postgraduate period, he mainly studied the mechanism of renal transplant rejection¹⁰³.

D3JYDX-SY005 Wu Gang

Position and Title: Associate Chief Surgeon of the Department of Urology, Associate Professor. He is a youth member of the Transplantation Professional Committee of the PLA and a member of the Kidney Dialysis and Transplantation Center of the Field Surgery Institute¹⁰⁴.

D3JYDX-SY006 Xie Bin

Position and Title: Associate Chief Surgeon of the Department of Hepatobiliary Surgery, Associate Professor.

Personal Profile: He graduated from the Department of Medicine of Chongqing Medical University in 1991 and from the Third Military Medical University in 1998 with a master's degree in surgery (general surgery). He obtained a doctorate in surgery (hepatobiliary) in 2005. He participated in the preoperative, intraoperative, and postoperative treatment of liver transplantation for early liver cancer and end-stage liver diseases¹⁰⁵.

D3JYDX-SY007 Yuan Tao

Position and Title: Attending Surgeon of the Department of Hepatobiliary Surgery, Lecturer

Personal Profile: He was born in February 1968. He graduated from the Third Military Medical University with a bachelor's degree in clinical medicine in 1993 and from the Graduate School of the Third Military Medical University in 2003 with a master's degree in hepatobiliary surgery. In 2009, he received a doctorate degree in hepatobiliary surgery¹⁰⁶.

D3JYDX-SY008 Fan Shizhi



Position and Title: Director of Cardiothoracic Surgery Department and enjoys a national government subsidy. Member of Chongqing Thoracic and Cardiovascular Surgery Professional Committee, Committee member of Chongqing Organ Transplantation Society. Participates in lung transplantation¹⁰⁷.

D3JYDX-SY009 Wang Xukai



Position and Title: Director of Internal Medicine Teaching and Research Office and Deputy Director of the Department of Cardiology, Chief Surgeon, Professor, Ph.D., Doctoral Supervisor. Assisted relevant departments to carry out heart transplantation¹⁰⁸.



追查迫害法輪功國際組織 (追查國際)

World Organization to Investigate the Persecution of Falun Gong (WOIPFG)

To investigate the criminal conduct of all institutions, organizations, and individuals involved in the persecution of Falun Gong; to bring such investigation, no matter how long it takes, no matter how far and deep we have to search, to full closure; to exercise fundamental principles of humanity; and to restore and uphold justice in society



D3JYDX-SY010 Li Qiansheng

Position and Title: Chief Surgeon, Professor, Master Student Supervisor of the Urology Department, current member and secretary of Chongqing Organ Transplant Professional Committee.

Personal Profile: He has been engaged in clinical medical treatment, teaching, and scientific research for 26 years, and has been engaged in kidney transplantation and testicular transplantation in urology¹⁰⁹.

D3JYDX-SY011 Jiang Jun



Position and Title: Deputy Director of the Department of Urology, Chief Surgeon, Professor
Personal Profile: He graduated from the Medical Department of the Third Military Medical University in 1986 and received his doctorate in 1998. He specializes in kidney extraction from living donors for kidney transplants¹¹⁰.

WOIPFG's Investigative Report on the Alleged Organ Harvesting of Living Falun Gong Practitioners at the No. 900 Hospital of the PLA Joint Logistic Support Force (previous Fuzhou General Hospital of PLA Nanjing Military Command) and Its Staff Members Suspected of Participation

Address: 156 W 2nd Ring N Rd, Fuzhou, Fujian, China

Preface

The 900th Hospital of the PLA Joint Logistic Support Force (previous Fuzhou General Hospital of Nanjing Military Command, PLA) is where hosts the PLA Institute of Cell and Organ Transplant. In 2011, the cumulative kidney transplants ranked first in China. The annual transplant volume ranks among the top three in the country for six consecutive years. The source of donors is so abnormally sufficient and the amount of transplants in a single day is so huge that unusual phenomenon has appeared. For example, a patient of kidney transplant used 8 backup kidneys; a patient of liver transplant couldn't match seven liver sources; or five liver sources were delivered simultaneously for an urgent liver transplant that was completed in 17 hours. Upon the massive background of the CCP's crime of live organ harvesting, this hospital is allegedly involved with the live organ harvesting from Falun Gong practitioners.

I. Hospital Profile

The 900th Hospital of the PLA Joint Logistic Support Force (previous Fuzhou General Hospital of Nanjing Military Command, PLA) is affiliated to Wuxi Joint Logistics Support Center. It is a tertiary level-A hospital and an international emergency rescue network hospital of Ministry of Health of the PRC. The hospital headquarters covers 380,000 square meters (570 acres) and the area of medical buildings is more than 100,000 square meters. It has 2100 beds and nearly 300 experts with senior technical titles. The headquarter has 53 professional disciplines, 16 specialties, key PLA disciplines and 10 bases including the PLA Institute of Clinical Laboratory Medicine and the PLA Institute of Organ Transplant.



追查迫害法輪功國際組織 (追查國際)

World Organization to Investigate the Persecution of Falun Gong (WOIPFG)

To investigate the criminal conduct of all institutions, organizations, and individuals involved in the persecution of Falun Gong; to bring such investigation, no matter how long it takes, no matter how far and deep we have to search, to full closure; to exercise fundamental principles of humanity; and to restore and uphold justice in society

Organ transplant is the key feature of this hospital. It has developed transplants of kidney, liver, liver-pancreas-kidney, liver-kidney, pancreas-kidney, heart, cardiopulmonary, lung, cornea, marrow, islet cells, and stem cell. The type and quantity of operations is one of the important large-scale organ transplant centers in China.¹¹¹

The hospital has a post-doctoral research station of the Ministry of Human Resources. Among the seven post-doctoral teaching disciplines, the Urological Surgery headed by Tan Jianming ranks first. It undertook projects of the National Natural Science Foundation of China, key projects of the "Twelfth Five-Year Plan" of the PLA, and major clinical high-tech projects of the PLA, etc.¹¹²

II. The cumulative kidney transplants ranked first in China in 2011. The annual transplant volume ranks among the top three for six consecutive years.

In 2011, the PLA Kidney Transplant and Dialysis Treatment Center was upgraded to the PLA Institute of Cell and Organ Transplant.¹¹³ Eleven major types of transplants have been carried out, ranging from large organ transplants such as kidney, liver and pancreas, to islet cell and stem cell and corneal transplants, and from single organ transplants to multi-organ transplants.

The hospital website shows its cumulative kidney transplants ranked first in China and the annual transplant volume ranks among the top three for six consecutive years. The laboratory of transplant and urology was approved as the key laboratory of transplant biology in Fujian Province, the engineering technology research center of stem cell application in Fujian Province, and the key laboratory of organ reconstruction and tissue repair of PLA in 2009 and 2010.¹¹⁴

III. The hospital has repeatedly used multiple spare donor organs for a single transplant.

1. Tan Jianming, Director of Urological Surgery, used eight kidneys for one patient's kidney transplant

According to the report "Bloody Harvest", Tan Jianming,¹¹⁵ Director of Urological Surgery at Fuzhou General Hospital of Nanjing Military Command, PLA, had used eight kidneys for one patient's kidney transplant in two months at Fuzhou General Hospital of Nanjing Military Command, PLA in 2003. The 8th kidney was successful.¹¹⁶

这里有一个例子。我们在亚洲推广我们的报告时，碰见了一名男子。他在二零零三年飞往上海，准备以二万美金换肾。价格是在启程前就定好了。他住进上海第一人民医院（一家民用设施），在随后的两周内，医院将他和四个肾脏做血液和其它方面的配对测试。由于他的抗体反应，没有一个肾脏是配对的，结果四个肾全部被拿走。

他於是回到了自己的国家，大约两个月后又返回了这家医院。又有四个肾脏拿来做类似的测试；当第八个肾脏被证明相配时，移植手术得以顺利完成。他的八天康复期是在解放军第85医院度过的。他的外科医生是南京军区（福州总医院肾移植中心）的谭建明医生，此人有时在民用医院穿军装。

谭医生携带着几张纸，上面记录有不同组织和血液特征的未来“捐献者”名单，他从中挑选人选。该医生被多次注意到穿着军装离开医院，二~三小时后又带着装有肾脏的容器回来。谭医生告诉器官接受者说，第八个肾脏是来自于一个死刑犯。



追查迫害法輪功國際組織 (追查國際)

World Organization to Investigate the Persecution of Falun Gong (WOIPFG)

To investigate the criminal conduct of all institutions, organizations, and individuals involved in the persecution of Falun Gong; to bring such investigation, no matter how long it takes, no matter how far and deep we have to search, to full closure; to exercise fundamental principles of humanity; and to restore and uphold justice in society

Figure 1: Matas, David and David Kilgour. "Bloody Harvest - Revised Report into Allegations of Organ Harvesting of Falun Gong Practitioners in China." February 25, 2007.

The People's Daily Online reported that Tan Jianming, director of the Shanghai Organ Transplant Research Center, was in charge of more than 4,200 kidney transplants as of June 2014.¹¹⁷

Comparison of organ wait time between China and the US

Dick Cheney, the former vice president of the US, waited nearly two years to receive an organ on March 24, 2012, when there were 120 million voluntary donors in the US and a well-developed network deployment system.

Shanghai Organ Transplant Research Center in China used eight kidneys in two months for a general patient's kidney transplant in 2003. But there was no voluntary organ donation record before 2005 and also no national network deployment system before 2013.

2. A patient of liver transplant couldn't match seven liver sources.

Subject(s): Liver Transplant Program, Fuzhou General Hospital of Nanjing Military Command, PLA

Date: November 4, 2017

Summary: There was emergent liver transplant before 2015 because there were such donors. A patient of liver transplant couldn't match seven liver sources.

(Recording 1. Download: [MP3](#); Transcript Download: [pdf 41](#))¹¹⁸

IV. Exceptionally adequate donor source, large single-day transplant volume, emergency transplant can be performed

1. The organ transplant center completed over 40 cases of emergent liver transplant.¹¹⁹

2. The transplants volume in a single day is large.

On January 17, 2006, three liver transplants were performed simultaneously for the first time at Fuzhou General Hospital.¹²⁰

On February 18, 2014, 16 doctors in Hepatobiliary Surgery worked nonstop for 17 hours from 12 o'clock and completed five liver transplants,¹²¹ one of which was an emergency liver transplant.¹²²

Five donated livers were delivered at the same time. Within 17 hours to complete the transplant, Fuzhou General Hospital of Nanjing Military Command completed five liver transplants from 12 o'clock February 18, 2014 to 4 o'clock February 19, 2014.¹²³

江艺说，等待移植的5个患者，一直在医院接受治疗并等待合适的肝源，而能给这5个患者肝源，是在这之前就配型完成，但是只能等捐者心脏停跳5分钟后，才能取下来。不过取下来的肝最多只能保存一天，最佳的保存时间是12个小时。

当天，5个肝源是同时送达的，因此这5名患者，必须在肝源送到后马上进行手术。为了保证肝源的活性，也为了这5个患者的手术能够更成功，江艺和他的团队经过深思熟虑的规划后，冒险选择了5台手术同时进行。

According to the report, there were five patients in the hospital waiting for the liver sources. The five livers were matched beforehand. But the liver can only be removed after the donor's heart had stopped beating for five minutes. Apparently, at the time of matching, the five "donors" were all living. Moreover, it is a living



追查迫害法輪功國際組織 (追查國際)

World Organization to Investigate the Persecution of Falun Gong (WOIPFG)

To investigate the criminal conduct of all institutions, organizations, and individuals involved in the persecution of Falun Gong; to bring such investigation, no matter how long it takes, no matter how far and deep we have to search, to full closure; to exercise fundamental principles of humanity; and to restore and uphold justice in society

body with normal liver function and successful matching. Therefore, the hospitalized patients were not waiting for matching organs, but waiting for the death of the "donors". What is unbelievable is those five "donors" actually "heart stopped" on the same day, and those five livers were "delivered at the same time" to Fuzhou General Hospital of Nanjing Military Command.

Who were those five "donors"? What made them to die at the same time? The incident occurred in February 2014 amid the condemnation of international public opinion. While the CCP stated that it would stop using the organs of executed prisoners and denied the live organ harvesting of Falun Gong practitioners, the premeditated crimes of live organ harvesting still occurred in mainland China, and the murder were even reported in a dignified manner.

V. A strong team of liver and kidney transplant surgeons shows that the hospital has a huge real transplant volume.

On the list of transplant surgeon at this hospital reported by WOIPFG in 2014,¹²⁴ there are 53 doctors have actually performed the surgery for the specialty of kidney transplant alone that we can find from official websites and papers. Among them, there are eight chief surgeons, ten associate chief surgeons, four attending surgeons and 31 others. This headcount can form multiple kidney transplant teams. For specialty of liver transplant alone, there are 36 doctors, among which there are eight chief surgeons, six associate chief surgeons, eight attending surgeons and 14 others. This headcount can form multiple liver transplant teams.

<http://health.people.com.cn/n/2014/0604/c385611-25104541.html>

全面创新肾移植临床技术。在供肾摘取、肾血管处理、输尿管膀胱吻合等主要技术上改进，主持肾移植4200多例，连续3000例无超排。采用新的配型标准、新的诱导与免疫治疗方案，实施高危病人肾移植156例，全部成功，是国内最大一组病例。联合移植国内、国际领先，完成肝-肾移植联合23例，胰-肾联合移植9例，肾-胰岛移植45例，肝-胰-肾联合移植1例，肾-干细胞联合移植786例，肾-胰岛-干细胞联合移植1例，全部成功。2010年中国肾移植科学登记系统资料显示，福州总医院累计肾移植总数居全国首位，移植肾存活率达到美国国家数据库（UNOS）统计的水平。

Figure 2: snapshot of the People's Daily Online

On June 4, 2014, People's Daily Online reported that Tan Jianming, the vice president and director of Urological Surgery, had presided more than 4,200 kidney transplants, 23 liver-kidney combined transplants, nine pancreas-kidney combined transplants, 45 kidney-islet transplants, one liver-pancreas-kidney combined transplant, 786 kidney-stem cell combined transplants, and one kidney-islet-stem cell combined transplant.

¹²⁵ Tan Jianming alone presided more than 4,200 kidney transplants. With so many transplant doctors, the amount of liver and kidney transplants is huge.

VI. More than 40 human pancreases have been used for islet cell transplant experiments

Tan Jianming, vice president and director of the Urological Surgery, participated in the human experiment. He conducted more than 40 human islet cell transplant trials for at least two years. In the second half of 2002 when the research entered its lowest stage, more than 40 human pancreas trials failed. At the end of 2002, the separation of human pancreatic cells was successful as well as the adult pancreas digestion, islet cell separation, purification and effective processing, etc. In early 2003, Tan Jianming performed islet cell transplant on a 13-year-old diabetic patient.¹²⁶



追查迫害法輪功國際組織 (追查國際)

World Organization to Investigate the Persecution of Falun Gong (WOIPFG)

To investigate the criminal conduct of all institutions, organizations, and individuals involved in the persecution of Falun Gong; to bring such investigation, no matter how long it takes, no matter how far and deep we have to search, to full closure; to exercise fundamental principles of humanity; and to restore and uphold justice in society

VII “Tracheal intubation after brain death” for heart transplant. Medical essay indicated the hospital was allegedly involved with live organ harvesting.

The essay published by Fuzhou General Hospital of Nanjing Military Command, PLA, reported, “the five donors for the five heart transplants dated from April 2004 were all male. After their brain death, tracheal intubation assisted their breathing and maintained stable circulation. After systemic heparinization, the aorta was blocked.”¹²⁷

1.2 供心保护方法 5例供体均为青年男性。脑死亡后气管插管辅助呼吸并维持循环稳定,全身肝素化后(3mg/kg),阻断主动脉,重力灌注4CHTK液1800~2000ml,心表面放置冰屑,此时迅速切断下腔静脉、右肺上静脉,然后依次切断其余肺静脉、上腔静脉、肺动脉、主动脉。切取下来的心脏放入盛有4℃盐水的多层无菌塑料袋中,密封后置入冰盒中迅速运送至手术室。4例供心经长途运送者(2.5~3.5小时)与受体吻合前经主动脉根部再次灌注4CHTK液1000ml。

The examples of organ harvesting depicted in the essay began with declaring people "brain dead" when people are not intubated and ventilated to maintain breathing. That means people have not undergone the spontaneous respiratory activation test required to determine brain death and followed by tracheal intubation. The tracheal intubation was not to resuscitate the brain-dead, but to ensure the quality of the harvested organs. This is a good indication that "brain death" is just a pretext and the possibility that the donor is alive is very high.

VIII. Main Responsible People

NJJQFZYY001 Tan Jianming



Position Title: Vice President, Director of Urological Surgery, Chief Surgeon, Doctoral Advisor, Fuzhou General Hospital of Nanjing Military Command, PLA; Head of Organ Transplant Discipline of National Key Clinical Specialties; Director of the PLA Institute of Organ Transplant.

Personal Profile: Vice Chairman, Chinese Society of Organ Transplant, Chinese Medical Association (CMA); Chairman, Branch of Fujian Society of Organ Transplant; Vice Chairman and Secretary General, China Dialysis Transplant Research Society; Standing Committee Member, Regenerative Medicine Professional Committee of China Pharmaceutical Biotechnology Association; Member of the International Transplantation Society (TTS); Member of U.S.-China Association for Science and Technology Exchange; Founded and served as editor-in-chief of the journal “Chinese Journal of Cell and Stem Cell (Electronic Edition)” of the Chinese Medical Association; Associate Editor-in-Chief of “Cell R4”, a journal founded by the International Society of Cell Transplant; Contributing Reviewers of “Lancet”.

Director of Urological Transplant Program for seven year since 2000 at Shanghai General Hospital affiliated to Shanghai Jiao Tong University upon approval by Nanjing Military Command; Director of Shanghai Organ Transplant Clinical Medical Center for six years since 2001; Director of Institute of Organ Transplant of Shanghai Jiao Tong University; Director of Shanghai Tissue Matching Center.

Made improvements in major techniques such as donor kidney extraction, renal vascular processing, and ureteral bladder anastomosis; presided more than 4,200 kidney transplants; led domestically and internationally in combined transplant, completed 23 combined liver-kidney transplants, nine combined pancreas-kidney transplants, 45 kidney-islet islet transplants, one combined liver-pancreas-kidney



追查迫害法輪功國際組織 (追查國際)

World Organization to Investigate the Persecution of Falun Gong (WOIPFG)

To investigate the criminal conduct of all institutions, organizations, and individuals involved in the persecution of Falun Gong; to bring such investigation, no matter how long it takes, no matter how far and deep we have to search, to full closure; to exercise fundamental principles of humanity; and to restore and uphold justice in society

transplant, 786 combined kidney-stem cell transplants, and one islet-stem cell combined transplant. ¹²⁸

NJJQFZYY002 Xu Tingzhao

Position Title: Associate Chief Surgeon of Urological Surgery, Fuzhou General Hospital. Good at kidney transplant and post-kidney transplant management. ¹²⁹

NJJQFZYY003 Zheng Kai



Position Title: Associate Chief Surgeon of Urological Surgery, Fuzhou General Hospital; Youth member of the PLA Organ Transplant Professional Committee.

Personal Profile: graduated from the Fourth Military Medical University; worked at Air Force Urological Center of Air Force Hospital in Shen Yang, PLA Urological Center of Lanzhou General Hospital of Lanzhou Military Command, and the PLA Institute of Organ Transplant of Fuzhou General Hospital of Nanjing Military Command. ¹³⁰

NJJQFZYY004 Wu Weizhen



Position Title: Associate Chief Surgeon of Urological Surgery, Fuzhou General Hospital. Good at kidney transplant etc. ¹³¹

NJJQFZYY005 Yang Shunliang



Position Title: Associate Director of Urological Surgery, Associate Chief Surgeon, Fuzhou General Hospital; Team leader of kidney transplant, PLA Institute of Organ Transplant of Nanjing Military Command.

Personal Profile: long-term clinical work in kidney transplant. ¹³²

NJJQFZYY006 Cai Jinquan

Position Title: Associate Chief Surgeon of Urological Surgery, Fuzhou General Hospital.

Personal Profile: long-term clinical work in kidney transplant and treatment of post-operative complications. ¹³³

NJJQFZYY007 Sun Xinghui

Position Title: Associate Chief Surgeon of Urological Surgery, Fuzhou General Hospital. Practicing kidney transplant. ¹³⁴

NJJQFZYY008 Guo Junqi

Position Title: Associate Chief Surgeon of Urological Surgery, Fuzhou General Hospital. Engaged in clinical work of kidney transplant and treatment of post-operative complications. ¹³⁵

NJJQFZYY009 Lin Wenhong



Position Title: Associate Chief Surgeon of Urological Surgery, Fuzhou General Hospital. Engaged in organ extraction of kidney transplant, transplant and post-operative management. ¹³⁶



追查迫害法輪功國際組織 (追查國際)

World Organization to Investigate the Persecution of Falun Gong (WOIPFG)

To investigate the criminal conduct of all institutions, organizations, and individuals involved in the persecution of Falun Gong; to bring such investigation, no matter how long it takes, no matter how far and deep we have to search, to full closure; to exercise fundamental principles of humanity; and to restore and uphold justice in society

NJJQFZYY01 Lin Rongxi

Position Title: Chief Surgeon of Urological Surgery, Fuzhou General Hospital.

Personal Profile: Standing Committee member of the Organ Transplant Committee of the Fujian Medical Association of China; Member of the 5th Chinese Society of Organ Transplant, Chinese Medical Association (CMA); graduated from the Military Medical Department of the Second Military Medical University in 1996; Engaged in clinical, scientific research and part-time teaching of kidney transplant. Good at solving problems of kidney transplant. Performed over 1200 cases of kidney transplant. ¹³⁷

NJJQFZYY011 Jiang Yi



Position Title: Chief Surgeon of Hepatological Surgery Program, Fuzhou General Hospital.

Personal Profile: Member of the PLA Organ Transplant Committee; Standing Committee Member of the Fujian Organ Transplant Society; Member of the Organ Transplant Immunology Group of the Chinese Society of Microbiology and Immunology, CMA; PhD of Abdominal Surgery and Organ Transplant; Graduated from Tongji Medical University, Doctoral Adviser, Visiting Scholar of Melbourne Liver Transplant Center, Australia and Queen Mary Hospital, University of Hong Kong Medical Center. Engaged in the diagnosis, treatment and research of liver, gallbladder, pancreas and spleen diseases and organ transplant for a long time; presided over 350 organ transplants including liver transplants, pancreas-kidney transplants, liver-kidney transplants, living donor liver transplants, and combined liver-pancreas-kidney transplants.

NJJQFZYY012 Lu Lizhi



Position Title: Associate Chief Surgeon of Hepatological Surgery Program, Fuzhou General Hospital. Practicing liver transplant. ¹³⁸

NJJQFZYY013 Li Dongliang



Position Title: Associate Director of Hepatological Center, Director of Hepatobiliary Medicine, Chief Surgeon, Fuzhou General Hospital. ¹³⁹

NJJQFZYY014 Chen Meizhu



Position Title: Associate Director of Eye Center, Chief Surgeon, Fuzhou General Hospital. Medical PhD

Personal Profile: Part-time associate professor of Second Military Medical University and Fujian Medical University; Standing Committee Member of Fujian Academy of Ophthalmology; Difficult total corneal transplant and combined operation of cataract, glaucoma and corneal transplant. ¹⁴⁰

NJJQFZYY015 Yang Lixia



Position Title: Chief Surgeon of Ophthalmology, Fuzhou General Hospital.

Personal Profile: Graduated from the Department of Medicine, Third Military Medical University; Ex-Director of Eye Center, Fuzhou General Hospital of Nanjing Military Command; Vice Chairman of Ophthalmology Professional Committee of Nanjing Military



追查迫害法輪功國際組織 (追查國際)

World Organization to Investigate the Persecution of Falun Gong (WOIPFG)

To investigate the criminal conduct of all institutions, organizations, and individuals involved in the persecution of Falun Gong; to bring such investigation, no matter how long it takes, no matter how far and deep we have to search, to full closure; to exercise fundamental principles of humanity; and to restore and uphold justice in society

Command; Engaged in ophthalmology clinical work for 36 years, good at corneal transplant, high-risk corneal transplant and other operations. ¹⁴¹

NJJQFZYY016 Gao Pengfen



Position Title: Associate Chief Surgeon of Ophthalmology, Fuzhou General Hospital; Associate Professor. ¹⁴²

Personal Profile: PhD of Ophthalmology, Third Military Medical University; Youth member of the PLA Ophthalmology Professional Committee; Visiting Scholar at Tohoku University, Japan; Practicing corneal transplant.

NJJQFZYY017 Zhang Peiwei



Position Title: Chief Surgeon of Ophthalmology, Fuzhou General Hospital.

Personal Profile: Graduated from the Medical Department of Shandong Medical College in 1957; Worked as Resident Surgeon, Attending Surgeon, Associate Director of Eye Center, Associate Chief Surgeon, Director, Chief Surgeon of Ophthalmology at Fuzhou General Hospital. Leader and Consultant of Ophthalmology Professional Group of Nanjing Military Command; Performing corneal transplant ((penetrating and lamellar). ¹⁴³

NJJQFZYY018 Chen Huazhong



Position Title: Associate Chief Surgeon of Urology Minimally Invasive Center, Fuzhou General Hospital.

Personal Profile: Graduated from Jiangxi Medical College. Learned from Professor Jiang Yu, a well-known urology and andrology expert in China; Visiting Scholar at Melbourne Liver Transplant Center, Australia and Queen Mary Hospital, University of Hong Kong Medical Center; Carrying out kidney transplant. ¹⁴⁴

WOIPFG's Investigative Report on the Alleged Organ Harvesting of Living Falun Gong Practitioners at the PLA Eastern Theater General Hospital (Formerly Nanjing General Hospital of Nanjing Military Command) and Its Staff Members Suspected of Participation

Address: 1 Shuanglong Street, Yuhuatai District, Nanjing City, Jiangsu Province, China

Foreword

As early as 2001, chaired by Li Leishi, an academician of the Chinese Academy of Engineering, the three doctors on duty at the Institute of Nephrology of the PLA Eastern Theater General Hospital (formerly Nanjing General Hospital of Nanjing Military Command), already "performed hundreds of kidney transplants in a year". It's clear that the number of kidney transplants in the Institute was already remarkable by then. In 2004, the hospital became one of the largest kidney transplant centers in China. In the same year, it was awarded the Collective First-class Merit by the CCP. The hospital was the first military hospital of the Communist Party of China to participate in live organ harvesting of Falun Gong practitioners. It was



追查迫害法輪功國際組織 (追查國際)

World Organization to Investigate the Persecution of Falun Gong (WOIPFG)

To investigate the criminal conduct of all institutions, organizations, and individuals involved in the persecution of Falun Gong; to bring such investigation, no matter how long it takes, no matter how far and deep we have to search, to full closure; to exercise fundamental principles of humanity; and to restore and uphold justice in society

rewarded by Jiang Zemin's Central Military Commission for its outstanding performance in kidney transplantation. The hospital is suspected of killing many people by doing kidney transplants for Jiang Mianheng, the son of Jiang Zemin, and the family members of Meng Jianzhu, secretary of the Central Political and Legal Committee. The weird thing is, Academician Li Leishi (84 years old), who performed kidney transplantation for the family members of the above-mentioned high-level CCP, committed suicide by jumping off the building on March 16, 2010. In view of the background of the CCP's national crime of live organ harvesting, the hospital is suspected of participating in the crime of live organ harvesting from Falun Gong practitioners and other groups.

I. The Hospital Overview

The former Nanjing General Hospital of the Nanjing Military Command is a large-scale 3rd level first class comprehensive hospital of the Chinese People's Liberation Army. It was renamed the General Hospital of the Eastern Theater Command in November 2018.

The hospital has more than 4,000 employees, including 2 academicians of the Chinese Academy of Engineering, 448 highly educated personnel on duty, 445 experts with senior professional titles, and 532 graduate students.

The hospital covers an area of more than 1,400 mu and has 2,000 beds. The hospital has 52 departments, including 1 national key discipline, 1 national clinical medical center, 1 national drug clinical trial institution, 2 military disciplines, 4 military medical research institutes, 2 key laboratories of the army, etc.¹⁴⁵

II. The hospital has established the Army Kidney Transplant Research Institute

The nephrology laboratory established under the leadership of Li Leishi, an academician of the Chinese Academy of Engineering, was approved as the key laboratory of nephrology in the army in 1997. It was listed as the "Top Priority" discipline of the army in 2000. The hospital established the first "Nephrology Translational Medicine Research Center" in China in 2011. On the list of the "Best Specialty Ranking of Chinese Hospitals" released in March 2011, the Institute of Nephrology of the Nanjing General Hospital of the Nanjing Military Command ranked Number 1¹⁴⁶.

The Nephrology Institute of Nanjing General Hospital of Nanjing Military Command has specialized outpatient clinics, clinical treatment centers, kidney biopsy diagnosis centers, blood purification centers, peritoneal dialysis centers, kidney transplantation centers, renal intensive care units (RICU), and stem cell transplantation wards and Key Laboratory of Nephrology. The institute has four major brand technologies that are renal biopsy technology, renal pathological diagnosis technology, blood purification technology and kidney transplantation technology¹⁴⁷.

In 2011, Academician Liu Zhihong was elected as a Director of the International Society of Nephrology (ISN), and represented China in participating in the work of the Kidney Disease Global Promotion Committee (KDIGO) to guide the development of global guidelines for kidney disease treatment. He was officially appointed as an adjunct professor by Brown University in the United States. The Institute has communicated at international academic conferences for many times, and has won the Young Scholar Award issued by the American Transplantation Conference for many years. As early as 1997, the Institute established sister units with John Hopkins University School of Medicine and Brown University School of Medicine, and began frequent academic exchanges and scientific research cooperation. In recent years, it has established a sister unit with the University of Washington in the United States to further expand external relations and cooperation¹⁴⁸.



追查迫害法輪功國際組織 (追查國際)

World Organization to Investigate the Persecution of Falun Gong (WOIPFG)

To investigate the criminal conduct of all institutions, organizations, and individuals involved in the persecution of Falun Gong; to bring such investigation, no matter how long it takes, no matter how far and deep we have to search, to full closure; to exercise fundamental principles of humanity; and to restore and uphold justice in society

III. The hospital has a strong kidney transplant team and a large number of transplants

1. Li Leishi alone performed 120 kidney transplants every year. In December 2008, Li Leishi published a paper titled "Organ Donation after Death Theoretically Exists, but is Difficult to Realize"¹⁴⁹ in China, saying: "There is a large shortage of organ transplant donors, because we are a research institute, so the number of operations performed was Not a lot, but I used to perform kidney transplants on 120 patients a year."

2. Three doctors performed hundreds of kidney transplants in a year

In the "Interview with Academician Li Leishi"¹⁵⁰ published by "China Military Network", it mentioned that in 2001, a medical accident occurred in the institute, and Li Leishi dismissed three doctors on duty. He said they "do hundreds of kidney transplants in a year". From Li Leishi's point of view, even if they were dismissed, it only "reduced a few kidney transplants in the second year".

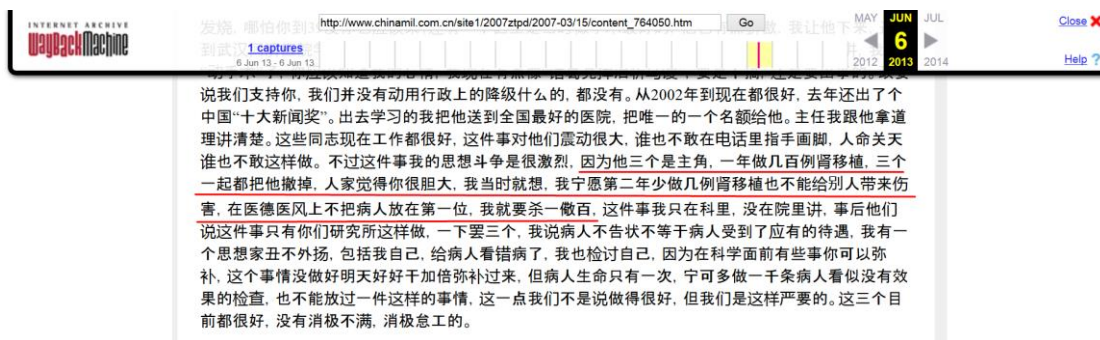


Figure 1 Snapshot of an article on China Military Network

Based on this, it can be seen that as early as 2001, the three doctors who were only on duty for one day in Li Leishi's Institute of Nephrology had already "performed hundreds of kidney transplants a year." So how many doctors and experts are there in the Army Institute of Nephrology? If calculated in this way, what would be the total number of kidney transplants performed by the PLA Kidney Institute in 2001?

3. With a large number of kidney transplant doctors, multiple kidney transplant teams can be formed.

WOIPFG released the list of transplant doctors in the hospital in 2014. There are nearly 30 kidney transplant specialists in the hospital, including 11 chief surgeons¹⁵¹, 8 associate professors, 5 doctoral supervisors, 14 master supervisors, successively trained 69 doctoral candidates, 80 master candidates, and 10 postdoctoral¹⁵². Multiple kidney transplant teams can be formed.

IV. The Army Institute of Nephrology, which is engaged in kidney transplantation, has a large number of beds and extremely short time of hospital stays

The Army Kidney Disease Research Institute of Nanjing Military Command General Hospital has a clinical treatment center with 210 beds¹⁵³. For a clinical specialty with 210 beds, the average length of stay in the institute is 9 days, which is significantly shorter than that of the same specialty in the same level hospitals¹⁵⁴. The average length of hospital stay was shortened from 13.4 days in 2008 to 8.22 days in 2009, and the number of hospitalized patients increased from less than 4,000 cases per year in 2001 to nearly 7,000 cases per year in 2016¹⁵⁵.



追查迫害法輪功國際組織 (追查國際)

World Organization to Investigate the Persecution of Falun Gong (WOIPFG)

To investigate the criminal conduct of all institutions, organizations, and individuals involved in the persecution of Falun Gong; to bring such investigation, no matter how long it takes, no matter how far and deep we have to search, to full closure; to exercise fundamental principles of humanity; and to restore and uphold justice in society

V. The Institute of Nephrology of the PLA is listed as a "Top Priority" research institute by the CCP

In 2007, the CCP military stated in the "Decision to Learn from Li Leishi": "Li Leishi built the first Department of Nephrology in the army in 1979, with the 10,000-yuan start-up funds allocated by the hospital and only "two and a half" doctors. Two years later, he advocated the establishment of the National Society of Nephrology. In the past, kidney transplantation was a surgical operation. As a surgeon, he stepped into the field of kidney transplantation under pressure and criticism and achieved success. The number of cases has grown from a dozen to more than 100, becoming one of the largest kidney transplant centers in China, and by 2004, the number of kidney transplants exceeded 1,000 cases."¹⁵⁶

It's clear that the CCP attaches great importance to the achievements in the field of transplantation, because Li Leishi has outstanding achievements in the field of kidney transplantation, so CCP issued a "Decision to learn from Li Leishi"¹⁵⁷. In 2000, the Institute of Kidney Diseases of the General Hospital of Nanjing Military Command was listed as a "Top Priority" research institute¹⁵⁸ by the Central Military Commission of the Communist Party of China. In 2004, the research institute was awarded the Collective First-class Merit by the CCP¹⁵⁹.

Li Jieshou, who led the completion of the first allogeneic small intestine transplantation in Asia in 1994, and the first combined liver and intestine transplantation in April 2003, is the pioneer of small intestine allograft transplantation in Asia. Li Jieshou is in charge of the Military General Surgery Institute, consist of 12 clinical medical research groups including transplantation¹⁶⁰. In 2020, Academician Li Jieshou of the General Hospital of the Eastern Theater Command was awarded the Victory Medal of Honor by the Central Military Commission¹⁶¹.

VI. The Army Institute of Nephrology and the Army Institute of General Surgery made huge incomes

According to a Financial News report on April 22, 2015, the revenue of the hospital increased from more than 200 million yuan to 500 million yuan in 2004, and the number of kidney transplants performed by the Institute of Nephrology exceeded 1,000 cases in 2004¹⁶². Among the list of the best hospitals in China, Nanjing General Hospital had entered the list for five consecutive years. In the 2013's annual list released in November 2014, Nanjing General Hospital ranked 29th, and its nephrology department ranked second in the country¹⁶³. According to a 2007 "China Military Network" report, Li Jieshou was in charge of the Military General Surgery Research Institute, formed 12 clinical medical research groups including transplantation, with 208 beds, an annual admission capacity of more than 5,000 patients, and an annual income of nearly 100 million yuan¹⁶⁴.

VII. The hospital made a blatant falsification about the amount of kidney transplants

At the time of 2004, the institute was awarded the Collective First-class Merit for breaking a thousand cases of kidney transplantation, which indicated that there were very few hospitals that performed thousands of kidney transplants at that time. According to the CCP "Journal of Armed Forces Medicine", Volume 15, Issue 6, June 2004, published by Yu Lixin of the Organ Transplantation Center of Southern Hospital of the First Military Medical University, "Progress of Clinical Allogeneic Kidney Transplantation in the country"¹⁶⁵, it can be seen that as early as in the year of 2000, there were already many transplant centers in mainland China with more than 1,000 kidney transplants. See the table below:



追查迫害法輪功國際組織 (追查國際)

World Organization to Investigate the Persecution of Falun Gong (WOIPFG)

To investigate the criminal conduct of all institutions, organizations, and individuals involved in the persecution of Falun Gong; to bring such investigation, no matter how long it takes, no matter how far and deep we have to search, to full closure; to exercise fundamental principles of humanity; and to restore and uphold justice in society

表 1 我国部分超过千例肾移植中心的移植概况

医院	n	1 年存活率 (%)	截止时间
北京友谊医院	2300	87.3	2000.10
广州南方医院	2123	96.7	2001.11
中山大学第一临床学院	1501	87.0	1999.07
解放军总医院	1180	88.6	1999.06
西安交通大学第一医院	1140	90.2	2000.06
北京朝阳医院	1118	91.2	2000.10

作者简介:于立新,男,1950 年出生。本科学历,主任医师,教授,博士生导师。主要从事器官移植的临床工作。

Figure 2. Overview of some transplantation centers in China with more than 1,000 cases of kidney transplantation

The above hospitals were only a part of the list. Among them, PLA General Hospital and Guangzhou Southern Hospital (Southern Hospital of the First Military Medical University) are both military hospitals. In addition, Xinqiao Hospital of the Third Military Medical University of the PLA, which is also a military hospital, claimed in its hospital qualification document "A Brief History of Urology in the Kidney Disease Center of the Army" ¹⁶⁶ page 157: "As of 2002, 2,590 cases of kidney transplantation have been performed." Moreover, we also found that in November 2004, the CCP's official media "Guangming Net" reported that "Beijing Friendship Hospital Exceeds 3,000 cases of kidney transplantation." ¹⁶⁷

From 2000 to 2004, it was a period of great development of organ transplantation in the CCP. However, the Institute of Kidney Diseases of the General Hospital of the Nanjing Military Command, which was regarded as the "Top priority" by the CCP military, did not improve its performance in organ transplantation until 2004, and only reached the lower level of other military hospitals 4 years ago. With such a level, how could it be awarded the Collective First-class Merit by the CCP in 2004?

In addition, the official website of the hospital stated that the kidney transplant center performs nearly 100 kidney transplants a year ¹⁶⁸, which is even more public fraud. In December 2008, Li Leishi claimed: "In the past, I could perform kidney transplant operations on 120 patients every year." ¹⁶⁹ Li Leishi's annual kidney transplant operations alone exceeded the hospital's declared number of operations. Moreover, when Li Leishi dealt with the three doctors who had medical malpractice in 2001, he said that these three doctors performed hundreds of kidney transplants a year. ¹⁷⁰

VIII. Telephone Investigation

Investigation Subject: Kidney transplant nurse at Nanjing General Hospital of Nanjing Military Command ¹⁷¹
Investigation time: September 11, 2017 (Phone# 86-2580860017)

Summary

1. More than one hundred cases in a year.
2. Have done quite a lot this year, roughly a few dozens of them.
3. Just two directors do it, one is director Chen Jinsong, and the other is director Cheng Dongrui.
4. The situation of the donor is not clear, because we don't know it ourselves, understand?



追查迫害法輪功國際組織 (追查國際)

World Organization to Investigate the Persecution of Falun Gong (WOIPFG)

To investigate the criminal conduct of all institutions, organizations, and individuals involved in the persecution of Falun Gong; to bring such investigation, no matter how long it takes, no matter how far and deep we have to search, to full closure; to exercise fundamental principles of humanity; and to restore and uphold justice in society

(Recording 1. Download: [MP3](#); Transcript Download: [pdf 1](#))

IX. The hospital is suspected of killing in order to find live donors for Jiang Mianheng and Meng Jianzhu's family members

According to Guo Wengui, a wealthy businessman in exile in the United States, who exposed to the media in 2017, Jiang Mianheng (the eldest son of Jiang Zemin) had three kidney transplants and killed five people; Meng Jianzhu (Secretary of the Central Political and Law Commission) had his mother's kidney transplanted and killed prisoners for their organs. Guo Wengui said that Li Leishi, vice president of the General Hospital of the Nanjing Military Command, was the doctor who did the kidney transplants for Jiang Mianheng and Meng Jianzhu's family member. On March 16, 2010, 84-year-old Li Leishi committed suicide by jumping off a building¹⁷².

X. Major Responsible Persons:

DZQZYY001 Liu Zhibong,



Job Title: Academician of the Chinese Academy of Engineering. Currently the Dean of Nanjing University School of Medicine, deputy director of Nanjing General Hospital of Nanjing Military Region, Director of the PLA Kidney Disease Research Institute, Director of the PLA Kidney Disease Key Laboratory, professor and doctoral supervisor of Nanjing University and the Second Military Medical University.

Personal Profile: Visiting professor at Brown University School of Medicine; Council member of International Society of Nephrology (ISN), Executive member of Kidney Disease: Improving Global Outcomes (KDIGO), International CRRT committee member. Chief scientist of the National "973" Project. Council member of the Chinese Medical Association, Director of the Nephrology Society of the Chinese Medical Association, Vice Chairman of the Ninth Army Medical Science and Technology Committee, Chairman of the Internal Medicine Field Committee, Vice President of Jiangsu Medical Association, Vice Chairman of Jiangsu Science and Technology Association, Chief Editor of Chinese Journal of Nephrology, Associate Editor of Am J of Kidney Dis, Editorial Board Member of European Journal of Kidney and Blood Pressure Research.¹⁷³

DZQZYY002 Li Jieshou



Job Title: Vice President of Nanjing General Hospital, Director of General Surgery, Director of General Surgery Institute of the Army

Personal Profile: Born in October 1924, started to work in April 1949, joined the army in April 1963, became the CCP member in March 1979. Vice president of Nanjing General Hospital, Director of general surgery, director of general surgery institute of the army, professional technology Level 1, elected as an academician of the Chinese Academy of Engineering in 1996. On March 12, 1994, successfully performed the first "human small intestine allograft" in Asia. After that, he took the lead in clinical application of total intravenous nutritional therapy in China, and successively completed the first "combined liver and intestine transplantation" and "parental donor intestine transplantation" in Asia. When Li Jieshou led the establishment of the Intestinal Fistula Treatment Group in 1971, there were only four beds. It became the Army's Abdominal Surgery Specialist Center in 1979. Upgraded to the Army's General Surgery Research Institute in 1995, consist of 12 clinical departments for intestinal fistula, transplantation, and nutritional support etc., with 208 beds, and more than 5,000 annual admission capacity, a cure and improvement rate of 99.2%, and an annual income of nearly 100 million yuan. It has become a key discipline of the country, the army, and Jiangsu Province, a doctoral



追查迫害法輪功國際組織 (追查國際)

World Organization to Investigate the Persecution of Falun Gong (WOIPFG)

To investigate the criminal conduct of all institutions, organizations, and individuals involved in the persecution of Falun Gong; to bring such investigation, no matter how long it takes, no matter how far and deep we have to search, to full closure; to exercise fundamental principles of humanity; and to restore and uphold justice in society

and master's degree authorization point of Nanjing University, and the Ministry of Health Clinical Pharmacology Base, Army Key Laboratory of Gastrointestinal Surgery.¹⁷⁴

DZQZYY003 Ji Shuming



Job Title: Professor of Nephrology, Chief Surgeon. Currently served as the deputy Director of the Institute of Nephrology, General Hospital of the People's Liberation Army of Nanjing Military Command, and an associate professor at the School of Clinical Medicine of Shanghai Second Military Medical University.

Personal Profile: Performed nearly 800 kidney transplants in the past 8 years. Specialized in donor kidney preservation, treatment, kidney transplantation, etc.¹⁷⁵

DZQZYY004 Chen Jinsong

Job Title: Director of Kidney Transplant Center, Associate Chief Surgeon.

Personal Profile: engaged in the clinical and scientific research of kidney transplantation for nearly 20 years, and performed hundreds of kidney transplantation cases.¹⁷⁶

DZQZYY005 Chen Huiping

Job Title: Professor of Nephrology, Chief Surgeon.

Personal Profile: Member of the Chinese Medical Association and the Organ Transplantation Professional Committee of the Army. Went to Singapore General Hospital (1992-1993) and the University of Colorado (1999) for training. Became student of Academician Li Leishi since the early 1980s; engaged in clinical and pathological diagnosis of kidney diseases under the guidance of Academician Li.¹⁷⁷

DZQZYY006 Wen Jiqu



Job Title: Associate Chief Surgeon of Nephrology

Personal Profile: Studied clinical medicine at Xiangya Medical College in 1992; admitted to Sun Yat-Sen University School of Medicine in 2000, major in nephrology; admitted to Nanjing University School of Medicine in 2005 to study for a doctorate. Under the tutelage of academician Li Leishi and academician Liu Zhihong, the famous nephrologists.

Received a doctorate degree in medicine in 2008, then engaged in kidney transplantation and kidney disease diagnosis and treatment in the General Hospital of Nanjing Military Command. The main direction is the diagnosis and treatment of renal transplant rejection and renal disease recurrence after renal transplantation, especially in the diagnosis and treatment of various medical complications and renal transplantation after renal transplantation.¹⁷⁸

DZQZYY007 Cheng Dongrui

Job Title: Attending Surgeon of Nephrology.

Personal Profile: College graduated from the Department of Clinical Medicine, Second Military Medical University, and master graduated from Nanjing University School of Medicine. Has been engaged in kidney transplantation work in the Nephrology Institute of the General Hospital of Nanjing Military Command for nearly 7 years. Responsible for the biopsy of transplanted kidneys in the Kidney Transplantation Center of the Institute, and has a certain research experience on the pathology of kidney transplantation.¹⁷⁹



追查迫害法輪功國際組織 (追查國際)

World Organization to Investigate the Persecution of Falun Gong (WOIPFG)

To investigate the criminal conduct of all institutions, organizations, and individuals involved in the persecution of Falun Gong; to bring such investigation, no matter how long it takes, no matter how far and deep we have to search, to full closure; to exercise fundamental principles of humanity; and to restore and uphold justice in society

DZQZYY008 Zeng Caihong

Job Title: Associate Professor, Associate Chief Surgeon.

Personal Profile: Graduated from Nanjing University School of Medicine, majoring in clinical medicine, has long been engaged in the research of renal pathology, renal transplantation pathology, renal ultrastructure, clinical-pathological and pathogenesis of renal diseases, and has accumulated diagnostic experience based on nearly 20,000 cases of renal biopsy specimens so far. In 2009, he went to visit UT Southwestern Medical Center (Professor Zhou Xinjin) and Vanderbilt University Medical Center (Professor Fogo) and studied in the Renal Pathology Branch of the Department of Pathology. Specialized in Kidney transplant surgery and the use of immunosuppressants for kidney transplantation, diagnosis and treatment of acute and chronic rejection.¹⁸⁰

DZQZYY009 Gao Jianping



Job Title: Chief Surgeon of Nephrology, Member of the Army Urology Professional Group, Leader of the Nanjing Military Command Urology Academic Group

Personal Profile: Born in January 1953. Graduated from the Third Military Medical University in October 1973, and graduated from Shanghai Second Medical University in July 1988 with a master's degree. Presided over the development of kidney transplantation and other work. Pathological diagnosis of acute and chronic rejection of kidney transplantation.¹⁸¹

DZQZYY010 Li Ning



Job Title: Director of General Surgery, Chief Surgeon, Professor

Personal Profile: Started the animal experimental research of small intestine transplantation in 1988, successfully established rat and pig small intestine transplantation models in 1992. Performed cutting-edge research on transplantation techniques, immune rejection monitoring and treatment, perioperative management, recovery and evaluation of transplanted intestine function, etc., successfully completed the first clinical small intestine transplantation in Asia in 1994, which was one of the nine countries that could perform small intestine transplantation in the world at that time., successfully completed the first combined liver and small intestine transplantation in Asia in 2003. Responsible for undertaking the "Eleventh Five-Year" national science and technology support project, the research results and innovative technologies related to small intestine transplantation have been promoted and applied.¹⁸²

DZQZYY011 Yu Wenkui

Job Title: Chief Surgeon of General Surgery, Professor, Doctoral Supervisor

Personal Profile: Visiting scholar in the Center for General Surgery, Visceral and Liver Transplantation of Charité Medical School in Berlin, Germany from December 2008 to December 2009.¹⁸³

DZQZYY012 Jing Hua



Job Title: Director of Cardiothoracic Surgery, Chief Surgeon.

Personal Profile: Member of the National Organ Transplantation Committee. Editorial board member of Chinese Journal of Organ Transplantation. Born in 1951, graduated from the Fourth Military Medical University in 1983 with a master's degree in medicine, studied



追查迫害法輪功國際組織 (追查國際)

World Organization to Investigate the Persecution of Falun Gong (WOIPFG)

To investigate the criminal conduct of all institutions, organizations, and individuals involved in the persecution of Falun Gong; to bring such investigation, no matter how long it takes, no matter how far and deep we have to search, to full closure; to exercise fundamental principles of humanity; and to restore and uphold justice in society

in Cardiac Surgery, University of Pittsburgh School of Medicine, Pennsylvania, USA, from August 1988 to October 1990. Performed the first allogeneic orthotopic heart transplantation in the army in 1994. Has extensive experience in surgical treatment of congenital and acquired heart disease and transplantation immunity.¹⁸⁴

DZQZYY013 Hu Xiaonan

Job Title: Chief Surgeon of Cardiothoracic Surgery

Personal Profile: Graduated from the Second Military Medical University with a master's degree in medicine. Actively participate in and preside over the diagnosis, operation, rescue or monitoring of various difficult and complicated diseases in the department, such as heart transplantation, etc.¹⁸⁵

DZQZYY014 Huang Zhenping



Job Title: Director of Ophthalmology, Professor, Chief Surgeon. Good at corneal transplant.¹⁸⁶

DZQZYY015 Xue Chunyan

Job Title: Deputy Director of Ophthalmology, Associate Chief Surgeon. Youth member of the Army Ophthalmology Professional Committee.

Personal Profile: Engaged in ophthalmology clinical, scientific research and teaching for more than 10 years, especially focusing on the research and treatment of various corneal diseases, corneal transplantation and other anterior segment diseases.¹⁸⁷ Skillful at various corneal transplant operations.

DZQZYY016 Chen Suihua

Job Title: Professor of Ophthalmology, Chief Surgeon.

Personal Profile: Admitted to the Medical Department of the First Military Medical University in 1978. Engaged in ophthalmology clinical work for nearly 30 years, skillful at corneal transplant operations and basic research.¹⁸⁸

DZQZYY017 Li Yousheng



Job Title: Chief Surgeon of General Surgery, Professor.

Personal Profile: Member of the Scientific Committee of the International Intestine Transplant Association (8 members in total, the only one outside the United States and Europe), deputy director of the Pancreatic and Small Intestine Transplantation Group of the Organ Transplant Branch of the Chinese Medical Association, member of the Standing Committee of the Organ Transplantation Branch of the Chinese Medical Doctor Association, member of the Standing Committee of the General Surgery Committee of the Army and head of the Trauma Group, member of the Organ Transplantation Committee of the Army, and member of the Transplant Immunology Committee of the Chinese Society of Immunology. Selected as one of the first batch of "135 Project" key talents trained by the Jiangsu Provincial Department of Health in 2001. Selected as a leading



追查迫害法輪功國際組織 (追查國際)

World Organization to Investigate the Persecution of Falun Gong (WOIPFG)

To investigate the criminal conduct of all institutions, organizations, and individuals involved in the persecution of Falun Gong; to bring such investigation, no matter how long it takes, no matter how far and deep we have to search, to full closure; to exercise fundamental principles of humanity; and to restore and uphold justice in society

medical talent in Jiangsu Province in 2006¹⁸⁹. Skillful at small intestine transplantation and combined abdominal multi-organ transplantation.

DZQZYY018 Ni Xiaodong

Job Title: Attending Surgeon of General Surgery. Skillful at small intestine transplantation, multi-organ transplantation in the abdominal cavity¹⁹⁰.

WOIPFG's Investigative Report on the Alleged Organ Harvesting of Living Falun Gong Practitioners at Air Force Hospital of PLA's Western Theater (formerly PLA No. 452 Hospital) and Its Staff Members Suspected of Participation

Address: 1 Gongnongyuan Street, Jinjiang District, Chengdu City, Sichuan Province

Foreword

The Air Force Hospital of the PLA's Western Theater (formerly the PLA No. 452 Hospital) claims to be the best in kidney transplantation in Sichuan, and its income has soared. Zhang Cong, the hospital director, was promoted to be the director of the PLA No.309 Hospital. On April 28, 2006, a reporter from Voice of Hope International Radio conducted a telephone investigation. Xu Yahong, director of the Department of Urology, said that he had performed at least 500 kidney transplants and could provide organs from young, healthy donors who practice Falun Gong. In view of the background of the CCP's state crime of living-donor organ harvesting, the hospital is obviously suspected of participating in the crime of organ harvesting from living Falun Gong practitioners and members of other groups.

I. Hospital Overview

The Air Force Hospital of the PLA's Western Theater (formerly the PLA No. 452 Hospital) was established in February 1950 and is a comprehensive tertiary level-A hospital. The hospital covers an area of 121.8 mu and has 600 beds.¹⁹¹

II. The hospital performs the most kidney transplants in Sichuan, and its income has soared. Zhang Cong, the director, was promoted to be the director of the PLA No. 309 Hospital.

The hospital was one of the first batch of kidney transplant hospitals designated by the Ministry of Health, claiming that the number of kidney transplant cases is the highest in Sichuan Province.¹⁹² According to the public information, the hospital is famous in Southwest China and the whole of China for performing kidney transplantation.¹⁹³

According to XinhuaNet report: In 2003, under the planning of the director Zhang Cong, the kidney and urology center of 452 Hospital was established quickly. Through private entrepreneurs' investment in updating equipment and contracting methods, the number of kidney transplants in this "township-level" hospital that was in trouble quickly reached the highest in the province.¹⁹⁴

In 2000, the hospital had obsolete equipment, a shortage of doctors, and foreign debts of nearly 10 million yuan, so it was called a township hospital. Zhang Cong took office as the director in 2001. In 2002, Director



追查迫害法輪功國際組織 (追查國際)

World Organization to Investigate the Persecution of Falun Gong (WOIPFG)

To investigate the criminal conduct of all institutions, organizations, and individuals involved in the persecution of Falun Gong; to bring such investigation, no matter how long it takes, no matter how far and deep we have to search, to full closure; to exercise fundamental principles of humanity; and to restore and uphold justice in society

Zhang Cong signed an agreement with a local entrepreneur to jointly operate the kidney transplant department with the hospital with a private investment of 8 million yuan. During the joint operation period, the enterprise pays 1.2 million yuan to the hospital every year. As a result, 331 cases of kidney transplantation were performed in No.452 Hospital, the number of cases of kidney transplantation ranked the highest in Sichuan Province. In 2007, after generating nearly 7 million yuan in revenue, the hospital paid 4 million yuan to recover all the facilities, equipment and management rights invested by entrepreneur. This practice of the 452 Hospital has caught the attention in the medical service system of the whole army, and some military hospitals followed suit.¹⁹⁵

In January 2009, China's domestic news reports mentioned the huge changes in the hospital's income: the development and changes of the hospital in the past 8 years have witnessed Zhang Cong's deeds: from being unknown to becoming a well-known comprehensive hospital in Southwest China, from being weak in technology to now more than 10 special and advantageous departments dominating the medical system in Sichuan and even the whole region, from less than 30 million yuan in annual income to 260 million yuan now....¹⁹⁶

In 2013, Zhang Cong was promoted to the director of the PLA No.309 Hospital.¹⁹⁷

III. Overview of Urology

The Department of Urology of the hospital has advanced medical equipment. There are nearly 50 inpatient beds, 8 intensive care beds for post kidney transplant patients, and a kidney transplant outpatient clinic. The annual outpatient volume of the Department of Urology is about 8,000, and more than 800 general urology patients are admitted every year, and more than 700 operations (including outpatient and emergency) are completed.

The department has nearly 30 medical staff at all levels, including 1 chief surgeon, 2 associate chief surgeons, 3 with doctorate and 3 with master's degree.

Public information stated that "especially kidney transplantation has become an important professional feature of the department." In 2007, the department passed the qualification examination for kidney transplantation technology by the Ministry of Health of China, and became one of the first hospitals to obtain the qualification for clinical kidney transplantation.¹⁹⁸

IV. Number of Kidney Transplants in Medical Papers

From January 2001 to December 2003, the hospital performed at least 218 kidney transplants.¹⁹⁹

From July 2006 to October 2009, the hospital performed at least 132 living donor kidney transplants. 164 cases of cadaveric kidney transplantation and donor extraction were performed. There were 81 male donors and 1 female donor, aged 22-46 years, with an average age of 32.3 years. Infectious disease examination of the donors showed they were all free of tuberculosis, hepatitis, syphilis, AIDS and other infectious diseases.²⁰⁰

V. Telephone Investigation

Note: The hospital is rich in kidney resources, and both the director of the urology department and the transplant doctors admit to using young, healthy donors who practice Falun Gong.

The Voice of Hope reporter contacted the director of the Kidney Transplant Center of Beijing Yuquan Hospital on April 28, 2006. The doctor said that due to the large number of donors in Chengdu, Sichuan, he



追查迫害法輪功國際組織 (追查國際)

World Organization to Investigate the Persecution of Falun Gong (WOIPFG)

To investigate the criminal conduct of all institutions, organizations, and individuals involved in the persecution of Falun Gong; to bring such investigation, no matter how long it takes, no matter how far and deep we have to search, to full closure; to exercise fundamental principles of humanity; and to restore and uphold justice in society

was sent to assist the local military hospital. For three consecutive days, doctors at the Air Force Hospital admitted that there were young and healthy donors who practiced Falun Gong.²⁰¹

Voice of Hope Investigative Recording

Download [MP3\(3.8MB\)](#)

1. Abundant kidney sources, young and healthy donors who practice Falun Gong

Li Honghui, Director of the Kidney Transplant Center of Yuquan Hospital, the Second Affiliated Hospital of Tsinghua University in Beijing, claimed that he was sent to Chengdu, Sichuan Province, where there are many kidney sources, to assist the local military hospital, the Air Force Hospital, in performing kidney transplants. There are abundant kidney sources, young and healthy donors who practice Falun Gong.

The Yuquan Hospital of the Second Affiliated Hospital of Tsinghua University in Beijing is a kidney transplant center. Director Li (Honghui) said that they do more than 100 cases every year. Recently, due to the shortage of donors in Beijing, a month or two ago he was sent to Chengdu, Sichuan Province, a region with a large number of kidney sources, to assist the local military hospital, the Air Force Hospital, in performing kidney transplants.

Li Honghui: "We are in the military!"

Reporter: "There are abundant kidney sources here, so you came here to do surgery?"

Li Honghui: "Right."

He said that the donors came from Falun Gong a few years ago; when the reporter asked if he could provide kidneys from Falun Gong, he replied yes.

Li Honghui: "The Falun Gong-related thing happened a few years ago."

Reporter: "So a few years ago, was this kind of kidney source easier to find?"

Li Honghui: "It should be."

Reporter: "Is there any donor who is young and healthy, preferably one who practices Falun Gong?"

Li Honghui: "This can be considered, and I will tell him about it when the time comes."

Director Li said that there will be a batch of kidney sources on the 30th.

Li Honghui: "Today I informed you that there will be a kidney source the day after tomorrow, so you can make it here tomorrow because we have a batch of kidney sources the day after tomorrow.

With the arrival each batch of sources, only one or two can be provided to foreigners, because there are one or two hundred patients waiting in line every day in China. "

Li Honghui: "It's impossible to do four or five at the same time! Only one or two can be done. One or two can be done, because we still have a lot of domestic patients who also need transplant. We have more than 100 to 200 patients who are waiting every day."



追查迫害法輪功國際組織 (追查國際)

World Organization to Investigate the Persecution of Falun Gong (WOIPFG)

To investigate the criminal conduct of all institutions, organizations, and individuals involved in the persecution of Falun Gong; to bring such investigation, no matter how long it takes, no matter how far and deep we have to search, to full closure; to exercise fundamental principles of humanity; and to restore and uphold justice in society

2. Young and healthy organs from donors that practice Falun Gong

Director Xu Yahong, who has worked in the Department of Urology for more than 20 years, said that he has done at least 500 cases and can provide young and healthy organs from donors that practice Falun Gong.²⁰² After being exposed, the official website of the hospital deleted the data-related pages.

Xu Yahong: "I should have perform around 500 surgeries, and now it's around 100 every year, and it's been like this for the last two or three years."

Director Xu (Yahong) said that after mid-May there will be a another batch of kidneys and voluntary donors who can provide young and healthy organs from those that practice Falun Gong.

Reporter: "There are quite a lot of donor sources in May, is that right?"

Xu Yahong: "It should be. Usually I do it every month. Around May 20th, before the end of May, there shouldn't be any problems. We have them at any time, and to be safe there are other sources. But this... I think this topic should wait until we meet. There are young donors."

Reporter: "Are there young donors"

Xu Yahong: "There must be. The donors are like this, and there are volunteers."

Reporter: "He emphasized the donor need to be young and healthy, and the one that practices Falun Gong would be the best. Is there such an opportunity?"

Xu Yahong: "Yes."

Reporter: "Yes?"

Xu Yahong: "There is such an opportunity; as far as our hospital is concerned, we will contact each other after May 15th."

VI. List of Responsible Persons

XBZQ-KJ001 Xu Yahong, male.



Personal Profile: Chief Surgeon and Director of the Urology Department of the PLA No.452 Hospital. He is currently the director-level member of the Urology Professional Committee of the Chengdu Military Region, a member of the Military Organ Transplant Professional Committee, and a standing member of the Sichuan Organ Transplant Branch.²⁰³

Specializes in kidney transplantation.

XBZQ-KJ002 Ma Xiaoping, male.



Personal Profile: Associate Chief Surgeon of the Urology Department of the PLA No. 452 Hospital, Director of Kidney Transplantation. Member of the Sichuan Branch of the Chinese Society of Organ Transplantation

He has been engaged in clinical urology kidney transplantation for a long time, and has studied kidney transplantation in Xijing Hospital Affiliated to Fourth Military Medical University and Guangzhou People's Hospital.

Good at kidney transplant tissue matching, surgical operation and postoperative treatment.²⁰⁴



追查迫害法輪功國際組織 (追查國際)

World Organization to Investigate the Persecution of Falun Gong (WOIPFG)

To investigate the criminal conduct of all institutions, organizations, and individuals involved in the persecution of Falun Gong; to bring such investigation, no matter how long it takes, no matter how far and deep we have to search, to full closure; to exercise fundamental principles of humanity; and to restore and uphold justice in society

XBZQ-KJ003 Gu Xinwei, male.

Personal Profile: Associate Chief Surgeon of the Department of Urology, The PLA No.452 Hospital

Graduated from the First Military Medical University.

Specializes in the treatment of post kidney transplant.²⁰⁵

WOIPFG's Investigative Report on the Alleged Organ Harvesting of Living Falun Gong Practitioners at Air Force Hospital of Northern Theater of People's Liberation Army (formerly PLA No.463 Hospital) and Its Staff Members Suspected of Participation

Address: 46 Xiaoheyan Road, Dadong District, Shenyang City, Liaoning Province

Foreword

The Air Force Hospital of the Northern Theater of the PLA (formerly the PLA No.463 Hospital) vigorously develops organ transplants, including liver transplants and kidney transplants. And the hospital claims to "have the largest cornea bank in Northeast China". WOIPFG's telephone investigation shows that the hospital has a large number of kidney transplants. In the large context of the CCP's state crime of living donor organ harvesting, the hospital is obviously suspected of participating in the crime of organ harvesting from living Falun Gong practitioners and members of other groups.

Hospital Overview

The Air Force Hospital of the PLA northern theater was founded in 1951 and is a tertiary Level-A general hospital. There are 1,120 patient beds, 125 people with senior professional titles in the medical field, nearly 100 highly educated talents such as doctors and masters, and 7 master supervisors. The total value of its medical equipment is 305 million yuan.²⁰⁶

I. Organ transplantation has become one of the new three pillars of the hospital

The hospital belongs to the second batch that obtained the qualification for kidney transplantation from the Ministry of Health. Meng Weihong, director of PLA No.Hospital in the Shenyang Military Region, who took office in 1998, said, "We have vigorously developed organ transplantation, such as liver transplantation and kidney transplantation, and concentrate financial resources and manpower on these fields." Organ transplantation, cell therapy and minimally invasive interventional therapy technologies have become the new three pillars of the hospital.²⁰⁷

II. The number of kidney transplant cases ranks among the top in China, and has always maintained a leading position in the military region and the Shenyang region of Liaoning Province

The number of kidney transplant cases in this hospital ranks among the top in China, and it has always maintained a leading position in technology in the military area and the Shenyang area of Liaoning Province.²⁰⁸ On August 1, 2013, the hospital was designated by Beijing's Health and Family Planning Commission to carry out kidney transplants.²⁰⁹



追查迫害法輪功國際組織 (追查國際)

World Organization to Investigate the Persecution of Falun Gong (WOIPFG)

To investigate the criminal conduct of all institutions, organizations, and individuals involved in the persecution of Falun Gong; to bring such investigation, no matter how long it takes, no matter how far and deep we have to search, to full closure; to exercise fundamental principles of humanity; and to restore and uphold justice in society

According to a paper of the hospital published in the fifth issue of 2006 in Liaoning Medical Journal, the hospital had performed at least 326 cases of kidney transplantation as of 2005.²¹⁰

III. Liver transplantation ranks first in Shenyang Military Region Hospitals

In 2004, the hospital successfully carried out allogeneic orthotopic liver transplantation, ranking first among hospitals in Shenyang Military Region.²¹¹

Number of Liver Transplants: According to the Department of General Surgery, many cases of liver transplants have been completed. As of 2007, the Department of General Surgery of the PLA No.463 Hospital and Liaoning Provincial People's Hospital have participated in the implementation of combined rapid liver and kidney harvesting and separation of nearly 100 cases.²¹²

IV. Corneal transplantation: The hospital has the largest corneal bank in Northeast China.

According to the introduction from the ophthalmic laser myopia treatment center on the website of the hospital in 2012, the Liaoning Red Cross Eye Bank was established in the PLA No. 463 Hospital. The hospital's eye bank is the largest cornea bank in Northeast China, with the richest cornea sources and the best quality.²¹³

V. Phone recordings show that the hospital performs a large number of transplants.

Investigation Target: Gao Guangjie, an anesthesiologist with Kidney Transplantation, PLA No. 463 Hospital, Shenyang²¹⁴

Investigation Date: 2017-04-12 (+86 13352456947)

“I don't know the exact number, but there are many kidney transplants. There are many, many. Tomorrow morning, call the operator to find the number of the Department of Urologic Surgery, OK? Today they are performing surgeries. They must be doing operations, kidney transplants.”

(Recording 1. Download: [MP3](#); Transcript Download: [pdf 210](#))

Investigation Target: Doctor, Nursing Department, PLA No.463 Hospital of Shenyang Military Region²¹⁵

Investigation Time: 2017-08-23 Tel: +86+ 2424838741

The hospital has started doing kidney transplants. “Yes, (we do) a lot (of kidney transplants)!”

(Recording 2. Download: [MP3](#); Transcript Download: [pdf 211](#))

VI. List of Responsible Persons

BBZQ-KJ001 Guo Hongxin, male.



Personal Profile: Chief Surgeon of the Urology Department of the PLA No. 463 Hospital, Director of the Urology Department of the PLA No. 463 Hospital-Shenyang Military Region Urology Center, and Deputy Director of Liaoning Provincial Organ Transplantation Committee.



追查迫害法輪功國際組織 (追查國際)

World Organization to Investigate the Persecution of Falun Gong (WOIPFG)

To investigate the criminal conduct of all institutions, organizations, and individuals involved in the persecution of Falun Gong; to bring such investigation, no matter how long it takes, no matter how far and deep we have to search, to full closure; to exercise fundamental principles of humanity; and to restore and uphold justice in society

He has reached the advanced level in kidney transplantation in Liaoning Province and the Air Force.²¹⁶ He is engaged in clinical work of urology diseases. Since 1997, he has done 365 cases of kidney transplantation.²¹⁷

BBZQ-KJ002 Shi Qixing, male.



Personal Profile: Associate Chief Surgeon of the Department of Urology, The PLA No.463 Hospital

He started doing kidney transplantation in the early 1990s.²¹⁸

BBZQ-KJ003 Wang Honglin, male.

Personal Profile: Associate Chief Surgeon of General Surgery, PLA No. 463 Hospital

He has done multiple cases of liver transplantation and perioperative treatment.²¹⁹

BBZQ-KJ004 Jiang Taimao, male.

Personal Profile: Director of Urology Department of the PLA No. 463 Hospital, Associate Chief Surgeon, Doctor of Medicine

He has been engaged in kidney transplantation and management of post kidney transplant patients.²²⁰

Reference:

¹ A WOIPFG Investigation Report on the Chinese Communist Party's Ongoing Crime of Live Organ Harvesting against Falun Dafa Practitioners

<https://www.upholdjustice.org/node/389>

² Introduction to Guangzhou General Hospital of Guangzhou Military Command, PLA

<http://web.archive.org/web/20200924150700/https://www.guahao.com/hospital/introduction/1b20c89d-2c00-40c4-babc-4d34adb80d45000>

³ Recruitment of Guangzhou General Hospital of Guangzhou Military Command, PLA

http://web.archive.org/web/20200922130548/https://m.sohu.com/a/159709524_141228/?pvid=000115_3w_a

⁴ Introduction to the Department of Urology, Guangzhou General Hospital of Guangzhou Military Command, PLA

<http://www.gzzyy.com/Index/index.php/Sec/index/no/1252379676>

WOIPFG Archive link:

<http://www.zhuichaguoji.org/cn/images/nationalcriminalreports/719.pdf>

⁵ Introduction to the Department of Hepatobiliary Surgery, Guangzhou General Hospital of Guangzhou Military Command, PLA

<http://www.gzzyy.com/Index/index.php/Sec/index/no/1252379656>

WOIPFG Archive link:

<http://www.zhuichaguoji.org/cn/images/nationalcriminalreports/729.png>

⁶ Recruitment of Guangzhou General Hospital of Guangzhou Military Command, PLA

http://web.archive.org/web/20200922130548/https://m.sohu.com/a/159709524_141228/?pvid=000115_3w_a

⁷ China Organ Donation Network, reprinted from People.cn: The First Organ Procurement Organization (OPO) in China is Established, July 11, 2011



追查迫害法輪功國際組織 (追查國際)

World Organization to Investigate the Persecution of Falun Gong (WOIPFG)

To investigate the criminal conduct of all institutions, organizations, and individuals involved in the persecution of Falun Gong; to bring such investigation, no matter how long it takes, no matter how far and deep we have to search, to full closure; to exercise fundamental principles of humanity; and to restore and uphold justice in society

<http://www.organdonation.org.cn/ZZC/2011-07/5811.htm>

Archive Link: <https://web.archive.org/save/http://www.organdonation.org.cn/ZZC/2011-07/5811.htm>

⁸ Sina.com, reprinted from The Beijing News: A Gang Removed and Sold the Kidneys of 23 Donors, Airlifted in the Name of Seafood, August 10, 2014

<http://news.sina.com.cn/c/2014-08-10/023930659549.shtml>

Archive link:

<https://web.archive.org/web/20140811232318/http://news.sina.com.cn/c/2014-08-10/023930659549.shtml>

⁹ A WOIPFG Investigation Report on the Chinese Communist Party's Ongoing Crime of Live Organ Harvesting against Falun Dafa Practitioners(III)

<https://www.upholdjustice.org/node/389>

¹⁰ A WOIPFG Investigation Report on the Chinese Communist Party's Ongoing Crime of Live Organ Harvesting against Falun Dafa Practitioners(V) <http://www.zhuichaguoji.org/node/96870>

¹¹ A WOIPFG Investigation Report on the Chinese Communist Party's Ongoing Crime of Live Organ Harvesting against Falun Dafa Practitioners(III)

<https://www.upholdjustice.org/node/389>

¹² A WOIPFG Investigation Report on the Chinese Communist Party's Ongoing Crime of Live Organ Harvesting against Falun Dafa Practitioners(III)

<https://www.upholdjustice.org/node/389>

¹³ Office Visualize: The Department of Urology, Guangzhou General Hospital of Guangzhou Military Command, PLA

http://www.gzzyy.com/Index/index.php/Sec/listInfo/sec_no/1252379676/clm_no/1253080422

https://web.archive.org/web/20130501085910/http://www.gzzyy.com/Index/index.php/Sec/listInfo/sec_no/1252379676/clm_no/1253080422

¹⁴ Office Visualize: The Department of Urology, Guangzhou General Hospital of Guangzhou Military Command, PLA

http://www.gzzyy.com/Index/index.php/Sec/listInfo/sec_no/1252379676/clm_no/1253080422

https://web.archive.org/web/20130501085910/http://www.gzzyy.com/Index/index.php/Sec/listInfo/sec_no/1252379676/clm_no/1253080422

¹⁵ Office Visualize: The Department of Urology, Guangzhou General Hospital of Guangzhou Military Command, PLA

http://www.gzzyy.com/Index/index.php/Sec/listInfo/sec_no/1252379676/clm_no/1253080422

https://web.archive.org/web/20130501085910/http://www.gzzyy.com/Index/index.php/Sec/listInfo/sec_no/1252379676/clm_no/1253080422

¹⁶ Good Doctors Online: Introduction to Dr. Zhang Lichao

<http://www.haodf.com/doctor/DE4r0eJWGqZNgQFgXHBHpcsGElip2trg.htm>

<https://web.archive.org/web/20140412212814/http://www.haodf.com/doctor/DE4r0eJWGqZNgQFgXHBHpcsGElip2trg.htm#>

¹⁷ Expert Profile on the official website of Guangzhou General Hospital of Guangzhou Military Command, PLA

http://www.gzzyy.com/Index/index.php/Show/expList/sec_no/1252379656/id/75/clm_no/1251698222

https://web.archive.org/web/20120715141306/http://www.gzzyy.com/Index/index.php/Show/expList/sec_no/1252379656/id/75/clm_no/1251698222

¹⁸ Expert Profile on the official website of Guangzhou General Hospital of Guangzhou Military Command, PLA

http://www.gzzyy.com/Index/index.php/Show/expList/sec_no/1252379656/id/75/clm_no/1251698222

https://web.archive.org/web/20120715141306/http://www.gzzyy.com/Index/index.php/Show/expList/sec_no/1252379656/id/75/clm_no/1251698222

¹⁹ Expert Profile on the official website of Guangzhou General Hospital of Guangzhou Military Command, PLA

http://www.gzzyy.com/Index/index.php/Show/expList/sec_no/1252379656/id/75/clm_no/1251698222

https://web.archive.org/web/20120715141306/http://www.gzzyy.com/Index/index.php/Show/expList/sec_no/1252379656/id/75/clm_no/1251698222

²⁰ Expert Profile on the official website of Guangzhou General Hospital of Guangzhou Military Command, PLA

http://www.gzzyy.com/Index/index.php/Show/expList/sec_no/1252379656/id/75/clm_no/1251698222

https://web.archive.org/web/20120715141306/http://www.gzzyy.com/Index/index.php/Show/expList/sec_no/1252379656/id/75/clm_no/1251698222

²¹ Expert Profile on the official website of Guangzhou General Hospital of Guangzhou Military Command, PLA

http://www.gzzyy.com/Index/index.php/Show/expList/sec_no/1252379656/id/75/clm_no/1251698222

https://web.archive.org/web/20120715141306/http://www.gzzyy.com/Index/index.php/Show/expList/sec_no/1252379656/id/75/clm_no/1251698222



追查迫害法輪功國際組織 (追查國際)

World Organization to Investigate the Persecution of Falun Gong (WOIPFG)

To investigate the criminal conduct of all institutions, organizations, and individuals involved in the persecution of Falun Gong; to bring such investigation, no matter how long it takes, no matter how far and deep we have to search, to full closure; to exercise fundamental principles of humanity; and to restore and uphold justice in society

22 A Kind Heart, Issue 10: Yangcheng Heart Rescue Ambassador - Zhang Weida

<http://disease.39.net/zt/2011123/1601296.html>

<https://web.archive.org/web/20140424230532/http://disease.39.net/zt/2011123/1601296.html>

23 Expert Profile on the official website of Guangzhou General Hospital of Guangzhou Military Command, PLA

http://www.gzzyy.com/Index/index.php/Show/expList/sec_no/1252379740/id/144/clm_no/1251698222

https://web.archive.org/web/20160731184319/http://www.gzzyy.com/Index/index.php/Show/expList/sec_no/1252379740/id/144/clm_no/1251698222

24 Expert Profile on the official website of Guangzhou General Hospital of Guangzhou Military Command, PLA

http://www.gzzyy.com/Index/index.php/Show/expList/sec_no/1252379740/id/144/clm_no/1251698222

https://web.archive.org/web/20160731184319/http://www.gzzyy.com/Index/index.php/Show/expList/sec_no/1252379740/id/144/clm_no/1251698222

25 Introduction to Ophthalmologists on the official website of Guangzhou General Hospital of Guangzhou Military Command, PLA

http://www.gzzyy.com/Index/index.php/Show/expList/sec_no/1252379922/id/59/clm_no/1251698222

https://web.archive.org/web/20120715130352/http://www.gzzyy.com/Index/index.php/Show/expList/sec_no/1252379922/id/59/clm_no/1251698222

26 Brief Introduction to the General Hospital of the People's Liberation Army of China Date of Issuance: 04/07/2005

<http://www.301hospital.com.cn/web/shownews/vyyjs/8.html>

Link to WOIPFG files:

<http://www.zhuichaguoji.org/cn/images/nationalcriminalreports/642.pdf>

27 Brief Introduction to Urology Surgery of the General Hospital of the People's Liberation Army of China

<http://www.301hospital.com.cn/web/ksabout/71.html>

Link to WOIPFG files:

http://www.zhuichaguoji.org/sites/default/files/report/2016/64700_062102.png

28 Brief Introduction to the General Hospital of the People's Liberation Army of China

<https://web.archive.org/web/20160113021032/http://www.301hospital.com.cn/web/article/yygk/yyjj.html>

29 High-end Medical Institution: International Medical Center of the PLA General Hospital (301 Hospital)

https://web.archive.org/web/20160529094420/http://blog.sina.com.cn/s/blog_b150514f01016bfa.html

30 Brief Introduction to Hepatobiliary Surgery of the General Hospital of the People's Liberation Army of China

<http://www.301hospital.com.cn/web/showsection/65.html>

Link to WOIPFG files:

<http://www.zhuichaguoji.org/cn/images/nationalcriminalreports/643.png>

31 China Organ Transplantation Network November 14, 2011: "Liver Friends Meeting", Conveying Warmth and Strength The First Liver Friends Meeting of PLA General Hospital

<http://www.transplantation.org.cn/ZJieFangJunZongYiYuanKuaiXun/2011-11/5944.htm>

Link to WOIPFG files:

http://www.zhuichaguoji.org/sites/default/files/report/2016/64700_062104.png

32 China Organ Transplantation Network February 14, 2011: Introduction to the Liver Transplant Center of PLA General Hospital

<http://www.transplantation.org.cn/ZJieFangJunZongYiYuanKuaiXun/2011-02/5055.htm>

Link to WOIPFG files:

http://www.zhuichaguoji.org/sites/default/files/report/2016/64700_062105.png

33 Brief Introduction to Urology Surgery of the General Hospital of the People's Liberation Army of China

<http://www.301hospital.com.cn/web/ksabout/71.html>

Link to WOIPFG files:

http://www.zhuichaguoji.org/sites/default/files/report/2016/64700_062102.png

34 Brief Introduction to Hepatobiliary Surgery of the General Hospital of the People's Liberation Army of China

<https://web.archive.org/web/20160113021128/http://www.301hospital.com.cn/web/ksabout/65.html>

35 The Fighting Team of Hepatobiliary Surgery, Xinhua.com July 10, 2007

<https://archive.is/V6lll>

36 The Fighting Team of Hepatobiliary Surgery, Xinhua.com July 10, 2007

<https://archive.is/V6lll>

37 Brief Introduction to Hepatobiliary Surgery of the General Hospital of the People's Liberation Army of China



追查迫害法輪功國際組織 (追查國際)

World Organization to Investigate the Persecution of Falun Gong (WOIPFG)

To investigate the criminal conduct of all institutions, organizations, and individuals involved in the persecution of Falun Gong; to bring such investigation, no matter how long it takes, no matter how far and deep we have to search, to full closure; to exercise fundamental principles of humanity; and to restore and uphold justice in society

<https://web.archive.org/web/20160113021128/http://www.301hospital.com.cn/web/ksabout/65.html>

³⁸Chinese Clinical Medicine, Vol. 2, No. 1, 2001: The establishment and necessary conditions for the successful operation of the Beijing Organ Transplantation Matching Center by Zhexian Li, Xiujiang Er, Kun Yu, Weiran Ma, Jie Lu, Yuhai Zhang, Baoxiang Jia, Junjie Wu, Rumei Bi, Zhu Xue, Yawang Tang, Zelin Xie (Beijing Friendship Hospital, Capital Medical University).

Link to WOIPFG files:

http://www.zhuichaguoji.org/sites/default/files/report/2016/64700_0621071.pdf

http://www.zhuichaguoji.org/sites/default/files/report/2016/64700_0621072.pdf

³⁹Brief Introduction to Urology Surgery of the General Hospital of the People's Liberation Army of China

<http://www.301hospital.com.cn/web/ksabout/71.html>

Link to WOIPFG files:

http://www.zhuichaguoji.org/sites/default/files/report/2016/64700_062102.png

⁴⁰Brief Introduction to Urology Surgery of the General Hospital of the People's Liberation Army of China

<http://www.301mnwk.com/slyymnks/bzfl/syz/index.html>

Link to WOIPFG files:

<http://www.zhuichaguoji.org/cn/images/nationalcriminalreports/644.png>

⁴¹Brief Introduction to Urology Surgery of the General Hospital of the People's Liberation Army of China

<http://www.301hospital.com.cn/web/ksabout/71.html>

Link to WOIPFG files:

http://www.zhuichaguoji.org/sites/default/files/report/2016/64700_062102.png

⁴²Brief Introduction to Hepatobiliary Surgery of the General Hospital of the People's Liberation Army of China

<http://www.301hospital.com.cn/web/showsection/65.html>

Link to WOIPFG files:

<http://www.zhuichaguoji.org/cn/images/nationalcriminalreports/643.png>

⁴³Introduction to the Renal Transplant Department of Yiyang People's Hospital, "Good Doctor Online

<http://www.haodf.com/faculty/DE4r08xQdKSLBg0GU2Y2Krrpb6FW/jieshao.htm>

Link to WOIPFG files:

<http://www.zhuichaguoji.org/cn/images/nationalcriminalreports/141.pdf>

⁴⁴Live video of 301 Hospital

<https://twitter.com/YuMing1999720/status/1292249773169246208>

⁴⁵Investigation Lead: Frequent Organ Transplants at Beijing PLA General Hospital

<https://www.minghui.org/mh/articles/2014/2/6/%E8%B0%83%E6%9F%A5%E7%BA%BF%E7%B4%A2%E5%8C%97%E4%BA%AC%E5%B8%82%E8%A7%A3%E6%94%BE%E5%86%9B%E6%80%BB%E5%8C%BB%E9%99%A2%E9%A2%91%E7%B9%81%E7%9A%84%E5%99%A8%E5%AE%98%E7%A7%BB%E6%A4%8D%E6%89%8B%E6%9C%AF-284874.html>

⁴⁶Investigation lead from Minghui.com: Beijing 301 Hospital guarantees liver replacement within a week

<https://zhenxiang.biz/40091.html>

⁴⁷Baidu Encyclopedia: Profile of Dong Jiahong

<http://archive.is/imVt9>

⁴⁸China Organ Transplantation Network: Introduction to the Liver Transplant Center of PLA General Hospital, [Date: 2011-02-14]

<http://www.transplantation.org.cn/ZJieFangJunZongYiYuanKuaiXun/2011-02/5055.htm>

<https://web.archive.org/web/20140417224135/http://www.transplantation.org.cn/ZJieFangJunZongYiYuanKuaiXun/2011-02/5055.htm>

⁴⁹PLA General Hospital Famous Doctors Lu Shichun

<http://www.301hospital.com.cn:80/web/showexp/myhcv/65/353.html>

<https://web.archive.org/web/20160815052557/http://www.301hospital.com.cn:80/web/showexp/myhcv/65/353.html>

⁵⁰PLA 304 Hospital - Hepatobiliary Surgery

<http://www.pla304.cc/304hospital/gdwkzxj/81.jhtml#position>

<https://archive.is/ACc46>

⁵¹Good Doctors Online: Profile of Ao Jianhua

<https://draojianhua.haodf.com/>

<https://archive.is/qkx8u>



追查迫害法輪功國際組織 (追查國際)

World Organization to Investigate the Persecution of Falun Gong (WOIPFG)

To investigate the criminal conduct of all institutions, organizations, and individuals involved in the persecution of Falun Gong; to bring such investigation, no matter how long it takes, no matter how far and deep we have to search, to full closure; to exercise fundamental principles of humanity; and to restore and uphold justice in society

⁵²The PLA General Hospital: Profile of Ao Jianhua

<http://www.301hospital.com.cn/web/showexpertintro/71/241.html?height=400&width=620>

<https://web.archive.org/web/20120816043306/http://www.301hospital.com.cn/web/showexpertintro/71/241.html?height=400&width=620>

⁵³PLA General Hospital Profile of Dong Jun

<http://www.301hospital.com.cn/web/showexpertintro/71/247.html?height=400&width=620>

<https://web.archive.org/web/20121104224259/http://www.301hospital.com.cn/web/showexpertintro/71/247.html?height=400&width=620>

⁵⁴PLA General Hospital Profile of Cai Wei

<http://www.301hospital.com.cn/web/showexpertintro/71/404.html?height=400&width=620>

<https://web.archive.org/web/20121021032729/http://www.301hospital.com.cn/web/showexpertintro/71/404.html?height=400&width=620>

⁵⁵PLA General Hospital Profile of Lu Jishan

<http://www.301hospital.com.cn/web/showexpertintro/71/723.html?height=400&width=620>

<https://web.archive.org/web/20120817024119/http://www.301hospital.com.cn/web/showexpertintro/71/723.html?height=400&width=620>

⁵⁶PLA General Hospital Profile of Zhang Xu

<http://www.301hospital.com.cn/web/showexpertintro/71/720.html?height=400&width=620>

<https://web.archive.org/web/20121104224238/http://www.301hospital.com.cn/web/showexpertintro/71/720.html?height=400&width=620>

⁵⁷Song Tao, specialist with Urology Surgery of the General Hospital of the People's Liberation Army of China

<http://www.301hospital.com.cn/web/showexpertintro/71/250.html?height=400&width=620>

⁵⁸Medwon.com: Brief Introduction to Urology of 301 Hospital

http://hpt4294968369.h.yynet.cn/departments/?section_id=46342

⁵⁹PLA General Hospital Profile of He Xueyou

<http://www.301hospital.com.cn/web/showexpertintro/71/252.html?height=400&width=620>

<https://web.archive.org/web/20120816043316/http://www.301hospital.com.cn/web/showexpertintro/71/252.html?height=400&width=620>

⁶⁰Medwon.com: Brief Introduction to Urology of 301 Hospital

http://hpt4294968369.h.yynet.cn/departments/?section_id=46342

⁶¹PLA General Hospital Profile of Li Yantang

<http://www.301hospital.com.cn/web/showexpertintro/71/230.html?height=400&width=620>

<https://web.archive.org/web/20120816043256/http://www.301hospital.com.cn/web/showexpertintro/71/230.html?height=400&width=620>

⁶²PLA General Hospital Profile of Wang Xiaoxiong

<http://www.301hospital.com.cn/web/showexpertintro/71/232.html?height=400&width=620>

<https://web.archive.org/web/20120817023833/http://www.301hospital.com.cn/web/showexpertintro/71/232.html?height=400&width=620>

⁶³Chinese Journal of Transplantation (Electronic Edition) 2007, Vol. 1, No. 01 4-8 pp.

"Retrospective analysis of 2037 renal transplantation cases"

by Xiao Xuren, Ao Jianhua, Lu Jinshan, Hong Baofa, Ye Linyang, Zhang Lei, Cai Wei, Gao Jiangping, He Xueyou, Yang Yong, Dong Jun, Wang Xiaoxiong, Li Yantang, Xu Diany (Department of Urology, General Hospital of the Chinese People's Liberation Army, Beijing, 100853, China).

http://new.med.wanfangdata.com.cn/Paper/Detail?id=PeriodicalPaper_zhyzzz200701002

⁶⁴Zhang Lei, specialist with Urology Surgery of the General Hospital of the People's Liberation Army of China

<http://www.301hospital.com.cn/web/showexpertintro/71/239.html?height=400&width=620>

⁶⁵Chinese Journal of Transplantation (Electronic Edition) 2007, Vol. 1, No. 01 4-8 pp.

"Retrospective analysis of 2037 renal transplantation cases"

by Xiao Xuren, Ao Jianhua, Lu Jinshan, Hong Baofa, Ye Linyang, Zhang Lei, Cai Wei, Gao Jiangping, He Xueyou, Yang Yong, Dong Jun, Wang Xiaoxiong, Li Yantang, Xu Diany (Department of Urology, General Hospital of the Chinese People's Liberation Army, Beijing, 100853, China).

http://new.med.wanfangdata.com.cn/Paper/Detail?id=PeriodicalPaper_zhyzzz200701002

⁶⁶Chinese Journal of Transplantation (Electronic Edition) 2007, Vol. 1, No. 01 4-8 pp.

"Retrospective analysis of 2037 renal transplantation cases"



追查迫害法輪功國際組織 (追查國際)

World Organization to Investigate the Persecution of Falun Gong (WOIPFG)

To investigate the criminal conduct of all institutions, organizations, and individuals involved in the persecution of Falun Gong; to bring such investigation, no matter how long it takes, no matter how far and deep we have to search, to full closure; to exercise fundamental principles of humanity; and to restore and uphold justice in society

by Xiao Xuren, Ao Jianhua, Lu Jinshan, Hong Baofa, Ye Linyang, Zhang Lei, Cai Wei, Gao Jiangping, He Xueyou, Yang Yong, Dong Jun, Wang Xiaoxiong, Li Yantang, Xu Dianyi (Department of Urology, General Hospital of the Chinese People's Liberation Army, Beijing, 100853, China).

http://new.med.wanfangdata.com.cn/Paper/Detail?id=PeriodicalPaper_zhyzzz200701002

⁶⁷PLA General Hospital Profile of Wang Yanbin

<http://www.301hospital.com.cn/web/showexpertintro/65/610.html?height=400&width=620>

<https://web.archive.org/web/20141109114642/http://www.301hospital.com.cn/web/showexpertintro/65/610.html?height=400&width=620>

⁶⁸Medwon.com: Profile of Shi Xianjie, Hepatobiliary Surgery, 301 Hospital

<http://shixianjie.u.yynet.cn/intro.php>

⁶⁹Medwon.com: Profile of Shi Xianjie, Hepatobiliary Surgery, 301 Hospital

<http://shixianjie.u.yynet.cn/intro.php>

⁷⁰NATIONAL MEDICAL JOURNAL OF CHINA, Vol. 91, No. 04, 2011, pp. 251-255 "Etiology and prevention of ischemic biliary tract lesions after liver transplantation"

by Xin Jin, Xianjie Shi, Maoqiang Wang, Yukun Luo, Fengchun Cai, Yurong Liang, Ying Luo, Wenbin Ji, Weidong Duan, Jiahong Dong (Department of Hepatobiliary Surgery, General Hospital of the Chinese People's Liberation Army, Beijing, 100853, China).

http://new.med.wanfangdata.com.cn/Paper/Detail?id=PeriodicalPaper_zhyx201104009

⁷¹Good Doctors Online: Profile of Dr. Leng Jianjun

<http://www.haodf.com/doctor/DE4r08xQdKSLfxUlidBIFkeSa2ob.htm>

<https://web.archive.org/web/20140811213453/http://www.haodf.com/doctor/DE4r08xQdKSLfxUlidBIFkeSa2ob.htm>

⁷²Good Doctors Online: Profile of Dr. Ji Wenbin

<http://www.haodf.com/doctor/DE4rO-XCoLU0KXHTQgjkEL-rP.htm>

<https://web.archive.org/web/20140716122844/http://www.haodf.com/doctor/DE4rO-XCoLU0KXHTQgjkEL-rP.htm>

⁷³Good Doctors Online: Profile of Dr. Ji Wenbin

<http://www.haodf.com/doctor/DE4rO-XCoLU0KXHTQgjkEL-rP.htm>

⁷⁴NATIONAL MEDICAL JOURNAL OF CHINA, Vol. 91, No. 04, 2011, pp. 251-255 "Etiology and prevention of ischemic biliary tract lesions after liver transplantation"

by Xin Jin, Xianjie Shi, Maoqiang Wang, Yukun Luo, Fengchun Cai, Yurong Liang, Ying Luo, Wenbin Ji, Weidong Duan, Jiahong Dong (Department of Hepatobiliary Surgery, General Hospital of the Chinese People's Liberation Army, Beijing, 100853, China).

http://new.med.wanfangdata.com.cn/Paper/Detail?id=PeriodicalPaper_zhyx201104009

⁷⁵Good Doctors Online: Profile of Dr. Liang Yurong

<http://www.haodf.com/doctor/DE4r0BCkuHzduZY-c7fIZMGILTrbd.htm>

<https://web.archive.org/web/20140829034622/http://www.haodf.com/doctor/DE4r0BCkuHzduZY-c7fIZMGILTrbd.htm>

⁷⁶Good Doctors Online: Profile of Dr. Zhao Zhiming

<http://www.haodf.com/doctor/DE4r0BCkuHzduCpWy7ej6dZX-ciU9.htm>

<https://web.archive.org/web/20140417224039/http://www.haodf.com/doctor/DE4r0BCkuHzduCpWy7ej6dZX-ciU9.htm#>

⁷⁷NATIONAL MEDICAL JOURNAL OF CHINA, Vol. 91, No. 04, 2011, pp. 251-255 "Etiology and prevention of ischemic biliary tract lesions after liver transplantation"

by Xin Jin, Xianjie Shi, Maoqiang Wang, Yukun Luo, Fengchun Cai, Yurong Liang, Ying Luo, Wenbin Ji, Weidong Duan, Jiahong Dong (Department of Hepatobiliary Surgery, General Hospital of the Chinese People's Liberation Army, Beijing, 100853, China).

http://new.med.wanfangdata.com.cn/Paper/Detail?id=PeriodicalPaper_zhyx201104009

⁷⁸Chinese Journal of Gastrointestinal Surgery: Luo Ying

<http://www.zhxxhk.com/bwmingdan.asp?fid=60&id=1352>

⁷⁹Huang Zhiqiang, specialist in hepatobiliary surgery, General Hospital of the Chinese People's Liberation Army of China

<http://www.301hospital.com.cn:80/web/showexpertintro/65/2.html?height=400&width=620>

<https://web.archive.org/web/20141110010122/http://www.301hospital.com.cn:80/web/showexpertintro/65/2.html?height=400&width=620>

⁸⁰Huang Yifei, ophthalmologist, General Hospital of the Chinese People's Liberation Army of China



追查迫害法輪功國際組織 (追查國際)

World Organization to Investigate the Persecution of Falun Gong (WOIPFG)

To investigate the criminal conduct of all institutions, organizations, and individuals involved in the persecution of Falun Gong; to bring such investigation, no matter how long it takes, no matter how far and deep we have to search, to full closure; to exercise fundamental principles of humanity; and to restore and uphold justice in society

<http://www.301hospital.com.cn/web/showexpertintro/70/47.html?height=400&width=620>

<https://web.archive.org/web/20120220033852/http://www.301hospital.com.cn/web/showexpertintro/70/47.html?height=400&width=620>

⁸¹Wang Liqiang, ophthalmologist, General Hospital of the Chinese People's Liberation Army of China

<http://www.301hospital.com.cn/web/showexpertintro/70/62.html?height=400&width=620>

<https://web.archive.org/web/20120220033909/http://www.301hospital.com.cn/web/showexpertintro/70/62.html?height=400&width=620>

⁸²Zhang Kun, ophthalmologist, General Hospital of the Chinese People's Liberation Army of China

<http://www.301hospital.com.cn/web/showexpertintro/70/684.html?height=400&width=620>

<https://web.archive.org/web/20120220034508/http://www.301hospital.com.cn/web/showexpertintro/70/684.html?height=400&width=620>

⁸³Army Medical Center of PLA (formerly Daping Hospital Affiliated with Third Military Medical University) 2019-05-15

<http://caigaliang.com/News/Details/22586bdc-2631-4191-86c1-aea2851aea17>

<http://web.archive.org/web/20201001024052/http://caigaliang.com/News/Details/22586bdc-2631-4191-86c1-aea2851aea17>

⁸⁴WOIPFG Obtained New Evidence: Jiang Zemin Ordered the Harvesting of Organs from Falun Gong Practitioners for Transplantation, Sept. 30, 2014

<https://www.upholdjustice.org/node/260>

⁸⁵WOIPFG's Summary Report on the CCP's State Crime of Massive Live Organ Harvesting against Falun Gong Practitioners

<https://www.upholdjustice.org/node/458>

⁸⁶Introduction to Daping Hospital

http://www.dph-fsi.com/dpyy_ysgk.asp

WOIPFG archive link:

<http://www.zhuichaguoji.org/cn/images/nationalcriminalreports/785.png>

⁸⁷The Characteristic Technology of Daping Hospital

http://www.dph-fsi.com/dpyy_tsjs.asp

WOIPFG archive link:

<http://www.zhuichaguoji.org/cn/images/nationalcriminalreports/786.png>

⁸⁸news.xywy.com: Looking at the 30-year Changes of Daping Hospital from an Annual Income of One Million to 900 million, May 11, 2009

<http://news.xywy.com/news/news-zhanhui/jbd/hydt/20090511/477579.html>

WOIPFG archive link:

<http://www.zhuichaguoji.org/cn/images/nationalcriminalreports/191.pdf>

⁸⁹WOIPFG Investigative Report: China's Public Security Bureau's On-site Psychology Research Center Implicated in Live Organ Harvesting on Falun Gong Practitioners, February 15, 2012

<https://www.upholdjustice.org/node/214>

⁹⁰ddfchina.org: Speech by the Secretary-General of Jinyang at the "Guanghua Innovation Special Contribution Award" Award Ceremony on September 19, 2006

<http://www.ddfchina.org/71/109-2008-07-07-03-11-47.html>

WOIPFG archive link:

http://www.zhuichaguoji.org/sites/default/files/report/2015/59389_552.png

<http://www.upholdjustice.org/sites/default/files/report/2015/325-552.png>

⁹¹Beijing Guanghua Design and Development Foundation Website: Introduction to China Guanghua Science and Technology Foundation

<http://www.ghstf.org/2009-03-30-05-07-20.html>

WOIPFG archive link:

<http://www.zhuichaguoji.org/cn/images/nationalcriminalreports/1076.png>

⁹²Beijing Guanghua Design and Development Foundation Website: China Guanghua Science and Technology Foundation presents the Guanghua Innovation Special Contribution Award to scientific researchers in the public security front, reported on September 21, 2006

<http://www.ddfddf.org/index.php/Index/content/id/433>

WOIPFG archive link:



追查迫害法輪功國際組織 (追查國際)

World Organization to Investigate the Persecution of Falun Gong (WOIPFG)

To investigate the criminal conduct of all institutions, organizations, and individuals involved in the persecution of Falun Gong; to bring such investigation, no matter how long it takes, no matter how far and deep we have to search, to full closure; to exercise fundamental principles of humanity; and to restore and uphold justice in society

<http://www.zhuichaguoji.org/cn/images/nationalcriminalreports/1077.png>

⁹³ WOIPFG Investigative Report: China's Public Security Bureau's On-site Psychology Research Center Implicated in Live Organ Harvesting on Falun Gong Practitioners, February 15, 2012

<https://www.upholdjustice.org/node/214>

⁹⁴ WOIPFG Report: Wang Lijun's Colleague, a Transplant Surgeon Admits Harvesting Organs from Live Falun Gong Practitioners

<https://www.upholdjustice.org/node/234>

⁹⁵ WOIPFG Investigative Report: China's Public Security Bureau's On-site Psychology Research Center Implicated in Live Organ Harvesting on Falun Gong Practitioners, February 15, 2012

<https://www.upholdjustice.org/node/214>

⁹⁶ WOIPFG Case Report: Witness to a Killing during Live Organ Harvesting of Falun Gong Practitioner

<https://www.upholdjustice.org/node/192>

⁹⁷ Applied Technology Network: Primary Brain Stem Injury Impacting Machine Patent No.: 201120542042
WOIPFG archive link:

<http://www.zhuichaguoji.org/cn/images/nationalcriminalreports/10831.pdf>

<http://www.zhuichaguoji.org/cn/images/nationalcriminalreports/10832.png>

⁹⁸ Patent: Portable multifunctional biology impacting machine and method for obtaining impacting energy based on same

<http://archive.is/RNBd7>

<https://web.archive.org/web/20200816171702/https://patentimages.storage.googleapis.com/22/59/6a/60c9dd7cf6a3cc/CN103471800A.pdf>

⁹⁹ Finite-element Simulation Analysis of Brain Injury from Temporal Impact in Quasi-static and its Clinical Significance, Journal of Trauma Surgery, Issue 2, 2008, pp. 141-144

Authors: Zhao Hui, Yin Zhiyong, Jiang Jianxin, Wang Zhengguo, Chen Jichuan, Yang Cheng

WOIPFG archive link:

<http://www.zhuichaguoji.org/cn/images/nationalcriminalreports/10841.pdf>

<http://www.zhuichaguoji.org/cn/images/nationalcriminalreports/10842.pdf>

<http://www.zhuichaguoji.org/cn/images/nationalcriminalreports/10843.pdf>

<http://www.zhuichaguoji.org/cn/images/nationalcriminalreports/10844.pdf>

¹⁰⁰ Experts, professors, and technical backbones of Daping Hospital

http://www.dph-fsi.com/ks_2009/default_wk.asp?ks_id=26&type_id=3

https://web.archive.org/web/20110218013318/http://www.dph-fsi.com/ks_2009/default_wk.asp?ks_id=26&type_id=3

¹⁰¹ Experts, professors, and technical backbones of Daping Hospital

http://www.dph-fsi.com/ks_2009/default_wk.asp?ks_id=26&type_id=3

¹⁰² Experts, professors, and technical backbones of the Department of Urology, Daping Hospital of Chinese People's Liberation Army

http://www.dph-fsi.com/ks_2009/default_wk.asp?ks_id=26&type_id=3

¹⁰³ Good Doctors Online: Introduction to Dr. Yuan Gang

<http://www.haodf.com/doctor/DE4r0eJWGqZNDzuZakuRshXILgazS11W.htm>

<https://web.archive.org/web/20140801014101/http://www.haodf.com/doctor/DE4r0eJWGqZNDzuZakuRshXILgazS11W.htm#>

¹⁰⁴ 442 Cases of Digestive System Complications after Kidney Transplantation, World Chinese Journal of Digestology, 2005, Volume 13, Issue 01, Pages 123-125

Authors: Li Shadan, Li Qiansheng, Huang Shaokuan, Huo Wenqian, Zhang Yong, Xu Xuguang, Nie Zhilin, Jin Wensheng, Wu Gang, Zhuo Wenli, Bi Gang, Ma Qiang (Kidney Dialysis and Transplant Center of the Field Surgery Research Institute of Daping Hospital Affiliated with Third Military Medical University of the Chinese PLA, Chongqing, 400042)

http://new.med.wanfangdata.com.cn/Paper/Detail?id=PeriodicalPaper_hrzhzz200501032

¹⁰⁵ Good Doctors Online: Introduction to Dr. Xie Bin

<http://www.haodf.com/doctor/DE4r08xQdKSLDhUW-BFq-tVG1BZ1.htm>

<https://web.archive.org/web/20150528225127/http://www.haodf.com/doctor/DE4r08xQdKSLDhUW-BFq-tVG1BZ1.htm>

¹⁰⁶ Good Doctors Online: Introduction to Dr. Yuan Tao

<http://www.haodf.com/doctor/DE4r08xQdKSLDhUWyuD9XRfC4Kpr.htm>



追查迫害法輪功國際組織 (追查國際)

World Organization to Investigate the Persecution of Falun Gong (WOIPFG)

To investigate the criminal conduct of all institutions, organizations, and individuals involved in the persecution of Falun Gong; to bring such investigation, no matter how long it takes, no matter how far and deep we have to search, to full closure; to exercise fundamental principles of humanity; and to restore and uphold justice in society

<https://web.archive.org/web/20140728225329/http://www.haodf.com/doctor/DE4r08xQdKSLDhUWyuD9XRfC4KPr.htm#>

¹⁰⁷ Baidu Encyclopedia: Fan Shizhi

<http://baike.baidu.com/view/1399057.htm>

¹⁰⁸ yy.yongyao.net: Wang Xukai from Daping Hospital

<http://yy.yongyao.net:80/temp/yyys1.aspx?id=66df2a63-561e-4915-8782-5069bab99154&ysid=c82d4fdb-1e90-4fa9-a691-385ecb62ca29>

<https://web.archive.org/web/2013112095517/http://yy.yongyao.net:80/temp/yyys1.aspx?id=66df2a63-561e-4915-8782-5069bab99154&ysid=c82d4fdb-1e90-4fa9-a691-385ecb62ca29>

¹⁰⁹ Good Doctors Online: Introduction to Dr. Li Qian sheng

<http://www.haodf.com/doctor/DE4r08xQdKSLDhUY-Pv5LwmK7DLi.htm>

<https://web.archive.org/web/20140801042826/http://www.haodf.com/doctor/DE4r08xQdKSLDhUY-Pv5LwmK7DLi.htm#>

¹¹⁰ Good Doctors Online: Introduction to Dr. Jiang Jun

<http://www.haodf.com/doctor/DE4r08xQdKSLDhUYiBFq-tVG1BZ1.htm>

<https://web.archive.org/web/20140728211108/http://www.haodf.com/doctor/DE4r08xQdKSLDhUYiBFq-tVG1BZ1.htm#>

¹¹¹ Baidu.com. “900 Hospital of the PLA Joint Logistic Support Force.” <https://baike.baidu.com/item/23191203?fromtitle=&fromid=9373874>.

¹¹² 91boshi.net. “900 Hospital of the PLA Joint Logistic Support Force (previous (previous Fuzhou General Hospital of Nanjing Military Command) 2020 Postdoctoral Recruitment Guideline.”

<http://web.archive.org/web/20200428004412/http://zhaopin.91boshi.net/html/fzzyy/index.html>

¹¹³ Fzzyy.com. “Urological Transplant, Fuzhou General Hospital of Nanjing Military Command.”

http://www.fzzyy.com/ksjs_show.asp?ArticleID_ks=16&classid_ks=19.

WOIPFG Archived Link: <http://www.zhuichaguoji.org/cn/images/nationalcriminalreports/377.png>

¹¹⁴ Fzzyy.com. “Urological Transplant, Fuzhou General Hospital of Nanjing Military Command.”

http://www.fzzyy.com/ksjs_show.asp?ArticleID_ks=16&classid_ks=19.

WOIPFG Archived Link: <http://www.zhuichaguoji.org/cn/images/nationalcriminalreports/377.png>

¹¹⁵ People.com.cn. “Advanced deeds of Tan Jianming.”

WOIPFG Archived Link: <http://www.zhuichaguoji.org/cn/images/nationalcriminalreports/172.png>

¹¹⁶ Matas, David and David Kilgour. “Bloody Harvest-Revised Report into Allegations of Organ Harvesting of Falun Gong Practitioners in China.” February 25, 2007. <https://organharvestinvestigation.net/>.

¹¹⁷ People.com.cn. “Advanced deeds of Tan Jianming.”

WOIPFG Archived Link: <http://www.zhuichaguoji.org/cn/images/nationalcriminalreports/172.png>

¹¹⁸ Upholdjustice.org. “WOIPFG’s Investigative Report on the alleged Organ Harvesting of Living Falun Gong Practitioners by the CCP (V).” July 20, 2018. <http://www.zhuichaguoji.org/node/96870>.

¹¹⁹ Fzzyy.com. “Hepatological Surgery Program, Fuzhou General Hospital of Nanjing Military Command.”

<http://www.fzzyy.com/keshi/waikexitong/2014-07-17/135.html>.

WOIPFG Archived Link: http://www.zhuichaguoji.org/sites/default/files/report/2016/64700_062906.png

¹²⁰ Xinhuanet.com. “Successful Three Liver Transplants Performed Simultaneously for the First Time at Fuzhou General Hospital.” March 25, 2006. http://www.fj.xinhuanet.com/news/2006-03/25/content_6569298.htm.

WOIPFG Archived Link: <http://www.zhuichaguoji.org/cn/images/nationalcriminalreports/226.png>

¹²¹ Transplantation.org.cn. “Five Liver Transplants Completed by non-stop 17 Hours.” March 10, 2014.

<http://www.transplantation.org.cn/zganxiwen/2014-03/7050.htm>.

WOIPFG Archived Link: <http://www.zhuichaguoji.org/cn/images/nationalcriminalreports/227.pdf>

¹²² Fjwsb.net.cn. “Touchdown in 17 hours for Five Successful Liver Transplant. Fuzhou General Hospital Sets new Fujian Province Record for Liver Transplants in a Single Day.” March 6, 2014.

<http://www.fjwsb.net.cn/healthNews.asp?main=6&pc=6&cc=321&id=34506>.

¹²³ Transplantation.org.cn. “Five Liver Transplants Completed by non-stop 17 Hours.” March 10, 2014.

<http://www.transplantation.org.cn/zganxiwen/2014-03/7050.htm>.

WOIPFG Archived Link: <http://www.zhuichaguoji.org/cn/images/nationalcriminalreports/227.pdf>

¹²⁴ WOIPFG. “WOIPFG Releases of the Tracking List of 2,098 Medical Personnel Suspected of Live Organ Harvesting from Falun Gong Practitioners in 100 Hospitals of the CCP’s Military and Armed Police Systems.” October 28, 2014. http://www.zhuichaguoji.org/node/45100#_Toc401944928.



追查迫害法輪功國際組織 (追查國際)

World Organization to Investigate the Persecution of Falun Gong (WOIPFG)

To investigate the criminal conduct of all institutions, organizations, and individuals involved in the persecution of Falun Gong; to bring such investigation, no matter how long it takes, no matter how far and deep we have to search, to full closure; to exercise fundamental principles of humanity; and to restore and uphold justice in society

- ¹²⁵ People.cn. "Advanced deeds of Tan Jianming." June 4, 2014. <http://health.people.com.cn/n/2014/0604/c385611-25104541.html>.
WOIPFG Archived Link: <http://www.zhuichaguoji.org/cn/images/nationalcriminalreports/172.png>.
- ¹²⁶ Gmw.cn. "Tan Jianming: Master Global Discourse of Clinical Transplant." December 24, 2006.
http://www.gmw.cn/01gmr/2006-12/24/content_526553.htm.
WOIPFG Archived Link: <http://www.zhuichaguoji.org/cn/images/nationalcriminalreports/1128.png>.
- ¹²⁷ Sheng Jihong, Chen Long, Zeng Zhiyong, Wang Wenrui, and Chen Weisheng. "HTK Solution Application for Donor Preservation in 5 Cases of Heart Transplantation."
WOIPFG Archived Link: <http://www.zhuichaguoji.org/cn/images/medicalarticles/17.pdf>.
- ¹²⁸ People.cn. "Advanced deeds of Tan Jianming." June 4, 2014. <http://health.people.com.cn/n/2014/0604/c385611-25104541.html>.
WOIPFG Archived Link: <https://archive.is/kfG6Q>.
- ¹²⁹ Fzzyy.com. "Profile of Xu Tingzhao, Fuzhou General Hospital of Nanjing Military Command."
http://www.fzzyy.com/zjjs_show.asp?ArticleID_ks=93.
- ¹³⁰ Haodf.com. "Profile of Zheng Kai, Fuzhou General Hospital of Nanjing Military Command."
<http://www.haodf.com/doctor/DE4r0BCkuHzdeC1XNfEIZMGILTrbd.htm>.
WOIPFG Archived Link:
<https://web.archive.org/web/20140812092058/http://www.haodf.com/doctor/DE4r0BCkuHzdeC1XNfEIZMGILTrbd.htm>.
- ¹³¹ Fzzyy.com. "Profile of Wu Weizhen, Fuzhou General Hospital of Nanjing Military Command."
http://www.fzzyy.com/zjjs_show.asp?ArticleID_ks=90.
- ¹³² Fzzyy.com. "Profile of Yang Shunliang, Fuzhou General Hospital of Nanjing Military Command."
http://www.fzzyy.com/zjjs_show.asp?ArticleID_ks=91.
- ¹³³ Haodf.com. "Profile of Cai Jinqian, Fuzhou General Hospital of Nanjing Military Command."
<http://www.haodf.com/doctor/DE4r08xQdKSLfi2XkGNoD0ioO33P.htm>.
WOIPFG Archived Link:
<https://web.archive.org/web/20150410181222/http://www.haodf.com/doctor/DE4r08xQdKSLfi2XkGNoD0ioO33P.htm>.
- ¹³⁴ Ysk.99.com.cn. "Profile of Sun Xinghui." <http://ysk.99.com.cn/ys/introduction/475707.html>.
- ¹³⁵ Ysk.99.com.cn. "Profile of Guo Junqi." <http://ysk.99.com.cn/ys/introduction/226756.html>.
- ¹³⁶ Fzzyy.com. "Profile of Lin Wenhong, Fuzhou General Hospital of Nanjing Military Command."
http://www.fzzyy.com/zjjs_show.asp?ArticleID_ks=92.
- ¹³⁷ Ysk.99.com.cn. "Profile of Lin Rongxi." <http://ysk.99.com.cn/ys/introduction/226754.html>.
- ¹³⁸ Fzzyy.com. "Profile of Lu Lizhi, Fuzhou General Hospital of Nanjing Military Command."
http://www.fzzyy.com/zjjs_show.asp?ArticleID_ks=366
- ¹³⁹ Fzzyy.com. "Profile of Li Dongliang, Fuzhou General Hospital of Nanjing Military Command."
http://www.fzzyy.com/zjjs_show.asp?ArticleID_ks=310.
WOIPFG Archived Link:
https://web.archive.org/web/20120702045827/http://www.fzzyy.com/zjjs_show.asp?ArticleID_ks=310.
- ¹⁴⁰ Fzzyy.com. "Profile of Chen Meizhu, Fuzhou General Hospital of Nanjing Military Command."
http://www.fzzyy.com/zjjs_show.asp?ArticleID_ks=180.
WOIPFG Archived Link:
https://web.archive.org/web/20120113085824/http://www.fzzyy.com/zjjs_show.asp?ArticleID_ks=180.
- ¹⁴¹ Fzzyy.com. "Profile of Yang Lixia, Fuzhou General Hospital of Nanjing Military Command."
http://www.fzzyy.com/zjjs_show.asp?ArticleID_ks=179.
WOIPFG Archived Link:
https://web.archive.org/web/20120113085819/http://www.fzzyy.com/zjjs_show.asp?ArticleID_ks=179.
- ¹⁴² Haodf.com. "Profile of Gao Pengfen."
<http://www.haodf.com/doctor/DE4r0eJWGqZNRZTjuZEEw5quGUbEY0en.htm>.
WOIPFG Archived Link:
<https://web.archive.org/web/20140419072945/http://www.haodf.com/doctor/DE4r0eJWGqZNRZTjuZEEw5quGUbEY0en.htm>.
- ¹⁴³ Fzzyy.com. "Profile of Zhang Peiwei, Fuzhou General Hospital of Nanjing Military Command."
http://www.fzzyy.com/zjjs_show.asp?ArticleID_ks=181.



追查迫害法輪功國際組織 (追查國際)

World Organization to Investigate the Persecution of Falun Gong (WOIPFG)

To investigate the criminal conduct of all institutions, organizations, and individuals involved in the persecution of Falun Gong; to bring such investigation, no matter how long it takes, no matter how far and deep we have to search, to full closure; to exercise fundamental principles of humanity; and to restore and uphold justice in society

WOIPFG Archived Link:

https://web.archive.org/web/20120113085830/http://www.fzzyy.com/zjjs_show.asp?ArticleID_ks=181.

¹⁴⁴ http://yyk.fh21.com.cn/expert_216036_6626.html.
“Profile of Chen Huazhong, Urology Minimally Invasive Center at Fuzhou Air Force Hospital.”

¹⁴⁵ Website baike.baidu.com, General Hospital of the Eastern Theater Command of the Chinese People's Liberation Army

<https://baike.baidu.com/item/23136268?fromtitle=&fromid=4160746>

<https://archive.vn/wip/cIJUe>

¹⁴⁶ Official Website of Nanjing General Hospital of Nanjing Military Command, Institute of Nephrology

<https://web.archive.org/web/20160131090815/http://www.njzy666.com/homepage/showinfo?infoid=5dd7efc6-292c-4a7b-91f8-586789b7c7a3>

¹⁴⁷ Website [haodf.com](http://www.haodf.com), General Hospital of Nanjing Military Command, Introduction to Nephrology

<http://www.haodf.com/faculty/DE4rO-XCoLUnQ3sFh7UcoLDoWk/jieshao.htm>

WOIPFG Archived Link:

http://www.zhuichaguoji.org/sites/default/files/report/2016/64700_06901.png

¹⁴⁸ Official Website of Nanjing General Hospital of Nanjing Military Command, Institute of Nephrology

<https://web.archive.org/web/20160131090815/http://www.njzy666.com/homepage/showinfo?infoid=5dd7efc6-292c-4a7b-91f8-586789b7c7a3>

¹⁴⁹ Website [Health.sohu.com](http://health.sohu.com), *Organ Donation after Death Theoretically Exists, but is Difficult to Realize*, Li Leishi, November 27, 2008.

<http://health.sohu.com/20081127/n260870584.shtml>

WOIPFG Archived Link:

<http://www.zhuichaguoji.org/cn/images/nationalcriminalreports/1066.png>

¹⁵⁰ China Military Network, chinamil.com, Interview with Academician Li Leishi

https://web.archive.org/web/20130606082614/http://www.chinamil.com.cn/site1/2007ztpd/2007-03/15/content_764050.htm

WOIPFG Archived Link:

<http://www.zhuichaguoji.org/cn/images/nationalcriminalreports/1069.png>

¹⁵¹ WOIPFG Releases the List of 2, 096 Medical Personnel in 103 Chinese Military and Armed Police Force Hospitals Suspected of Harvesting Organs from Living Falun Gong Practitioners, October 28, 2014.

http://www.zhuichaguoji.org/node/45100#_Toc401944927 (Chinese)

<https://www.upholdjustice.org/node/282> (English)

¹⁵² Website [haodf.com](http://www.haodf.com) (Good Doctors Online), General Hospital of Nanjing Military Command, Introduction to Nephrology

<http://www.haodf.com/faculty/DE4rO-XCoLUnQ3sFh7UcoLDoWk/jieshao.htm>

¹⁵³ Website [haodf.com](http://www.haodf.com) (Good Doctors Online), General Hospital of Nanjing Military Command, Introduction to Nephrology

<http://www.haodf.com/faculty/DE4rO-XCoLUnQ3sFh7UcoLDoWk/jieshao.htm>

¹⁵⁴ Website [haodf.com](http://www.haodf.com) (Good Doctors Online), General Hospital of Nanjing Military Command, Introduction to Nephrology

<http://www.haodf.com/faculty/DE4rO-XCoLUnQ3sFh7UcoLDoWk/jieshao.htm>

¹⁵⁵ Official Website of Nanjing General Hospital of Nanjing Military Command, Institute of Nephrology

<https://web.archive.org/web/20160131090815/http://www.njzy666.com/homepage/showinfo?infoid=5dd7efc6-292c-4a7b-91f8-586789b7c7a3>

¹⁵⁶ China Military Network, Decision on learning from Comrades Li Jieshou and Li Leishi

https://web.archive.org/web/20130606081811/http://www.chinamil.com.cn/site1/2007ztpd/2007-03/16/content_764882.htm

WOIPFG Archived Link:

<http://www.zhuichaguoji.org/cn/images/nationalcriminalreports/1065.png>

¹⁵⁷ China Military Network, Decision on learning from Comrades Li Jieshou and Li Leishi

https://web.archive.org/web/20130606081811/http://www.chinamil.com.cn/site1/2007ztpd/2007-03/16/content_764882.htm

WOIPFG Archived Link:

<http://www.zhuichaguoji.org/cn/images/nationalcriminalreports/1065.png>



追查迫害法輪功國際組織 (追查國際)

World Organization to Investigate the Persecution of Falun Gong (WOIPFG)

To investigate the criminal conduct of all institutions, organizations, and individuals involved in the persecution of Falun Gong; to bring such investigation, no matter how long it takes, no matter how far and deep we have to search, to full closure; to exercise fundamental principles of humanity; and to restore and uphold justice in society

¹⁵⁸ Xinhua Net, Institute of Military Nephrology

http://news.xinhuanet.com/mil/2009-06/03/content_11479483.htm

WOIPFG Archived Link:

<http://www.zhuichaguoji.org/cn/images/nationalcriminalreports/598.png>

¹⁵⁹ Website haodf.com, General Hospital of Nanjing Military Command, Introduction to Nephrology

<http://www.haodf.com/faculty/DE4rO-XCoLUnQ3sFh7UcoLDoWk/jieshao.htm>

¹⁶⁰ China Military Network, Decision on learning from Comrades Li Jieshou and Li Leishi

https://web.archive.org/web/20130606081811/http://www.chinamil.com.cn/site1/2007ztpd/2007-03/16/content_764882.htm

¹⁶¹ Website of Nanjing University, Big News! Academician Li Jieshou of the General Hospital of the Eastern Theater Command was awarded the Victory Medal of Honor by the Central Military Commission. June 28, 2020.

<https://archive.vn/CQUHc>

¹⁶² China Military Network, Decision on learning from Comrades Li Jieshou and Li Leishi

https://web.archive.org/web/20130606081811/http://www.chinamil.com.cn/site1/2007ztpd/2007-03/16/content_764882.htm

WOIPFG Archived Link:

<http://www.zhuichaguoji.org/cn/images/nationalcriminalreports/1065.png>

¹⁶³ Boxun News, Chen Zhongliang, former political commissar of the Nanjing General Hospital of the Nanjing Military Commander, was taken away for investigation. April 23, 2015.

<https://archive.is/o9owv>

¹⁶⁴ China Military Network, Decision on learning from Comrades Li Jieshou and Li Leishi

https://web.archive.org/web/20130606081811/http://www.chinamil.com.cn/site1/2007ztpd/2007-03/16/content_764882.htm

¹⁶⁵ Yu Lixin (Organ Transplant Center, Southern Hospital, First Military Medical University, Guangzhou 510515), *Advances in Clinical Allogeneic Kidney Transplantation in the country*. Medical Journal of the Chinese People's Armed Police Forces. Vol. 15 No. 06, Jun 2004.

<http://www.zhuichaguoji.org/cn/images/nationalcriminalreports/561.pdf>

¹⁶⁶ A Brief History of Urology of the Army's Kidney Disease Center

http://www.minghui.org/mh/article_images/2007-9-12-image001.jpg

¹⁶⁷ Guangming Net, *Beijing Friendship Hospital's Kidney Transplantation Exceeds 3,000 Cases*. November 19, 2004.

Source: Guangming Daily, by correspondents Jiang Yuerong, Meng Qingling and reporter Fan

You. http://www.gmw.cn/01gmr/2004-11/19/content_134553.htm

WOIPFG Archived Link:

<http://www.zhuichaguoji.org/cn/images/nationalcriminalreports/304.png>

¹⁶⁸ Website haodf.com, General Hospital of Nanjing Military Command, Introduction to Nephrology

<http://www.haodf.com/faculty/DE4rO-XCoLUnQ3sFh7UcoLDoWk/jieshao.htm>

¹⁶⁹ Website Health.sohu.com, Organ donation after death exists in theory but difficult in reality, Li Leishi, November 27, 2008.

<http://health.sohu.com/20081127/n260870584.shtml>

WOIPFG Archived Link:

<http://www.zhuichaguoji.org/cn/images/nationalcriminalreports/1066.png>

¹⁷⁰ China Military Network, chinamil.com, Interview with Academician Li Leishi

https://web.archive.org/web/20130606082614/http://www.chinamil.com.cn/site1/2007ztpd/2007-03/15/content_764050.htm

WOIPFG Archived Link:

<http://www.zhuichaguoji.org/cn/images/nationalcriminalreports/1069.png>

¹⁷¹ Website of World Organization to Investigate the Persecution of Falun Gong. *WOIPFG's Latest Investigation Results on CCP live Harvesting Organs from Falun Gong Practitioners (IV)*. October 17, 2017.

<https://www.zhuichaguoji.org/node/77139>

¹⁷² The Epoch Times, *Inside stories of Jiang Mianheng's kidney transplant and the CCP power elite Organ Harvesting for Extending their Lives*. September 23, 2017.

<https://www.epochtimes.com/gb/17/9/23/n9660468.htm>

¹⁷³ Official Website of Nanjing General Hospital of Nanjing Military Command, Profile of Liu Zhihong

<http://www.njzy666.com/homepage/showinfo?infoid=ebf11c3e-a3ce-4672-a81f-2873963aa8fb>



追查迫害法輪功國際組織 (追查國際)

World Organization to Investigate the Persecution of Falun Gong (WOIPFG)

To investigate the criminal conduct of all institutions, organizations, and individuals involved in the persecution of Falun Gong; to bring such investigation, no matter how long it takes, no matter how far and deep we have to search, to full closure; to exercise fundamental principles of humanity; and to restore and uphold justice in society

<http://archive.is/IZSQZ>

¹⁷⁴ China Military Network, Decision on learning from Comrades Li Jieshou and Li Leishi

https://web.archive.org/web/20130606081811/http://www.chinamil.com.cn/site1/2007ztpd/2007-03/16/content_764882.htm

¹⁷⁵China-U.S. Transplantation Network, China Domestic Transplant Hospitals and Transplant Experts Database- Ji Shuming in Jiangsu

Website haodf.com, (Good Doctors Online), Profile of Ji Shuming

<http://www.haodf.com/doctor/DE4r08xQdKSLPG0x366N34PvWMSU.htm>

¹⁷⁶ Website haodf.com (Good Doctors Online), Profile of Chen Jingsong

<http://www.haodf.com/doctor/DE4r0BCkuHzdeipNiUceCoEzBhPT2.htm>

<https://web.archive.org/web/20150113120831/http://www.haodf.com/doctor/DE4r0BCkuHzdeipNiUceCoEzBhPT2.htm#m#>

¹⁷⁷ Website haodf.com (Good Doctors Online), Profile of Chen Huiping

<http://www.haodf.com/doctor/DE4r08xQdKSLPG0xp52Duj49TpEn.htm>

<https://web.archive.org/web/20150113120802/http://www.haodf.com/doctor/DE4r08xQdKSLPG0xp52Duj49TpEn.htm>

¹⁷⁸Website haodf.com (Good Doctors Online), Profile of Wen Jiqu

<http://www.haodf.com/doctor/DE4r0eJWGqZNGRSHvK2cUtBMDWj5BR7h.htm>

<https://web.archive.org/web/20140702111853/http://www.haodf.com/doctor/DE4r0eJWGqZNGRSHvK2cUtBMDWj5BR7h.htm>

¹⁷⁹ Website haodf.com (Good Doctors Online), Profile of Cheng Dongrui

<http://www.haodf.com/doctor/DE4r0BCkuHzdeiUWz5T0-22oNxVxB.htm>

<https://web.archive.org/web/20140702111536/http://www.haodf.com/doctor/DE4r0BCkuHzdeiUWz5T0-22oNxVxB.htm>

¹⁸⁰ Website haodf.com (Good Doctors Online), Profile of Zeng Caihong

<http://www.haodf.com/doctor/DE4r0BCkuHzdeipNC2ceCoEzBhPT2.htm>

<https://web.archive.org/web/20140416235908/http://www.haodf.com/doctor/DE4r0BCkuHzdeipNC2ceCoEzBhPT2.htm>

¹⁸¹ Official Website of Nanjing General Hospital of Nanjing Military Command, Profile of Expert Gao Jianping

<http://www.njzy666.com/showExpert.jsp?doctorId=detail&id=353> (can't reach this page)

¹⁸²Website haodf.com (Good Doctors Online), Profile of Li Ning

<http://www.haodf.com/doctor/DE4r08xQdKSLPGWw2qEsNJ7qcZX0.htm>

<https://web.archive.org/web/20140213051452/http://www.haodf.com/doctor/DE4r08xQdKSLPGWw2qEsNJ7qcZX0.htm>

¹⁸³ Website haodf.com (Good Doctors Online), Profile of Yu Wenkui

<http://www.haodf.com/doctor/DE4r0BCkuHzdeGoNhEmRDydDzVOIL.htm>

<https://web.archive.org/web/20140805190642/http://www.haodf.com/doctor/DE4r0BCkuHzdeGoNhEmRDydDzVOIL.htm>

¹⁸⁴ Official Website of Nanjing General Hospital of Nanjing Military Command, Profile of Expert Jing Hua

<http://www.njzy666.com/showExpert.jsp?doctorId=detail&id=330>

<http://archive.is/pYPzn>

¹⁸⁵ Website 99 Health, Profile of Hu Xiaonan

<http://ysk.99.com.cn/ys/introduction/207666.html>

¹⁸⁶Website haodf.com (Good Doctors Online), Profile of Huang Zhenping

<http://www.haodf.com/doctor/DE4r08xQdKSLPGoJBioBq7c5PLvm.htm>

<https://web.archive.org/web/20140709224711/http://www.haodf.com/doctor/DE4r08xQdKSLPGoJBioBq7c5PLvm.htm>

¹⁸⁷ Website haodf.com (Good Doctors Online), Profile of Xue Chunyan

<http://www.haodf.com/doctor/DE4r0BCkuHzdeCqILTnWKEMSMwtPM.htm>

<https://web.archive.org/web/20140313111053/http://www.haodf.com/doctor/DE4r0BCkuHzdeCqILTnWKEMSMwtPM.htm>

¹⁸⁸ Website haodf.com (Good Doctors Online), Profile of Chen Suihua

<http://www.haodf.com/doctor/DE4r08xQdKSLPGoytEsNJ7qcZX0.htm> (**this link not working**)

<https://web.archive.org/web/20140805152353/http://www.haodf.com/doctor/DE4r08xQdKSLPGoytEsNJ7qcZX0.htm>



追查迫害法輪功國際組織 (追查國際)

World Organization to Investigate the Persecution of Falun Gong (WOIPFG)

To investigate the criminal conduct of all institutions, organizations, and individuals involved in the persecution of Falun Gong; to bring such investigation, no matter how long it takes, no matter how far and deep we have to search, to full closure; to exercise fundamental principles of humanity; and to restore and uphold justice in society

m

¹⁸⁹ Website haodf.com (Good Doctors Online), Profile of Li Yousheng

<http://www.haodf.com/doctor/DE4r08xQdKSLPGXxq49LoalFRy9w.htm> (**this link not working**)

<https://web.archive.org/web/20150317023432/http://www.haodf.com/doctor/DE4r08xQdKSLPGXxq49LoalFRy9w.htm#>

¹⁹⁰ Website haodf.com (Good Doctors Online), Profile of Ni Xiaodong

<http://www.haodf.com/doctor/DE4r0eJWGqZNGNwRgEQhQKEpXkgLG4be.htm> (**this link not working**)

<https://web.archive.org/web/20140822211733/http://www.haodf.com/doctor/DE4r0eJWGqZNGNwRgEQhQKEpXkgLG4be.htm>

¹⁹¹ Baidu Encyclopedia: The PLA No. 452 Hospital

<https://baike.baidu.com/item/%E8%A7%A3%E6%94%BE%E5%86%9B%E7%AC%AC%E5%9B%9B%E4%BA%94%E4%BA%8C%E5%8C%BB%E9%99%A2>

<https://archive.is/yD17M>

¹⁹² NetEase: Relying on the Market to Guarantee the "Battlefield" - Zhang Cong, Director of PLA No.452 Hospital
2009-01-12 Source: Xinhuanet

<http://news.163.com/09/0112/20/4VG19ACC000120GU.html>

Link to WOIPFG Files:

<http://www.zhuichaguoji.org/cn/images/nationalcriminalreports/712.png>

¹⁹³ Baidu Encyclopedia: The PLA No. 452 Hospital

<https://baike.baidu.com/item/%E8%A7%A3%E6%94%BE%E5%86%9B%E7%AC%AC%E5%9B%9B%E4%BA%94%E4%BA%8C%E5%8C%BB%E9%99%A2>

<https://archive.is/yD17M>

¹⁹⁴ Sohu News: Zhang Cong, Director of PLA No. 452 Hospital: Relying on the Market to Guarantee the "Battlefield"
January 12, 2009

<http://news.sohu.com/20090112/n261710745.shtml>

Link to WOIPFG Files:

<http://www.zhuichaguoji.org/cn/images/nationalcriminalreports/713.png>

¹⁹⁵ Clearwisdom.net: The CCP's Army That Doesn't Fight Wars is the World's Number One in Transplantation (Photos)

<http://www.minghui.org/mh/articles/2009/11/17/212749.html>

¹⁹⁶ NetEase: The PLA No. 452 Hospital of Chengdu Military Region's Capabilities to Innovate and Develop Medical Support Have Greatly Improved

<https://web.archive.org/web/20190124004944/http://news.163.com/09/0112/23/4VGD3PPM000120GU.html>

¹⁹⁷ China Finance and Economics: Zhang Cong, Director of the PLA No. 309 Hospital: We must dare to take responsibility 2013-12-20

<http://finance.china.com.cn/industry/medicine/yzld/20131220/2064111.shtml>

Link to WOIPFG Files:

<http://www.zhuichaguoji.org/cn/images/nationalcriminalreports/714.png>

¹⁹⁸ Good Doctors Online: Urology of the PLA No. 452 Hospital

<https://www.haodf.com/faculty/DE4r08xQdKSLuKplxrpF9fQsVXyf.htm>

<http://web.archive.org/web/20201102074214/http://www.haodf.com/faculty/DE4r08xQdKSLuKplxrpF9fQsVXyf.htm>

m

¹⁹⁹ WOIPFG—The PLA No. 452 Hospital

<https://www.zhuichaguoji.org/node/99549>

²⁰⁰ Southwest National Defense Medicine, Vol. 20, No. 08, 2010, pp. 846-848 "Comparison of the clinical efficacy of relative living donor kidney transplantation and cadaveric donor kidney transplantation"

Authors: Ma Xiaoping, Xu Yahong, Li Yangbo, Li Jian, Gu Xinwei, Yan Pin, Zhao Min (Department of Urology, PLA No. 452 Hospital, Chengdu, 610021);

Link to WOIPFG Files:

<http://www.zhuichaguoji.org/cn/images/medicalarticles/9801.pdf>

<http://www.zhuichaguoji.org/cn/images/medicalarticles/9802.pdf>

<http://www.zhuichaguoji.org/cn/images/medicalarticles/9803.pdf>



追查迫害法輪功國際組織 (追查國際)

World Organization to Investigate the Persecution of Falun Gong (WOIPFG)

To investigate the criminal conduct of all institutions, organizations, and individuals involved in the persecution of Falun Gong; to bring such investigation, no matter how long it takes, no matter how far and deep we have to search, to full closure; to exercise fundamental principles of humanity; and to restore and uphold justice in society

- ²⁰¹ Clearwisdom.net recording: The Military Hospital Acknowledges Uses of Kidneys of Falun Gong Practitioners, May 2, 2006
<http://www.minghui.org/mh/articles/2006/5/2/126638p.html>
- ²⁰² Renminbao.com-Chengdu Air Force Hospital Admits to Transplanting Organs from Living Falun Gong Practitioners
<http://www.renminbao.com/rmb/articles/2006/5/1/40296.html>
- ²⁰³ Good Doctors Online: Profile of Dr. Xu Yahong
<http://www.haodf.com/doctor/DE4r0BCkuHzdugX-5cfIZMGILTrbd.htm>
<https://web.archive.org/web/20140504064520/http://www.haodf.com/doctor/DE4r0BCkuHzdugX-5cfIZMGILTrbd.htm#>
- ²⁰⁴ Good Doctors Online: Profile of Dr. Ma Xiaoping
<http://www.haodf.com/doctor/DE4r0BCkuHzdugX-5svRDydDzVOIL.htm>
<https://web.archive.org/web/20150409164339/http://www.haodf.com/doctor/DE4r0BCkuHzdugX-5svRDydDzVOIL.htm#>
- ²⁰⁵ Good Doctors Online: Profile of Dr. Gu Xinwei
<http://www.haodf.com/doctor/DE4r0BCkuHzdeKbmj9wOXXq2IWmiF.htm>
<https://web.archive.org/web/20140715085702/http://www.haodf.com/doctor/DE4r0BCkuHzdeKbmj9wOXXq2IWmiF.htm#>
- ²⁰⁶ Website Introduction to the Hospital
<http://web.archive.org/web/20150811005828/http://463.cn/about/Introduction/>
- ²⁰⁷ Sohu Finance, October 11, 2005, [Walking with the director] Meng Weihong: Let No. 463 Hospital "take off" forcibly
<https://business.sohu.com/20051011/n240516143.shtml>
<https://archive.is/wip/YO23m>
- ²⁰⁸ Urology of PLA No. Hospital
<http://www.463.cn/show.php?mesid=67>
Link to WOIPFG Files:
<http://www.zhuichaguoji.org/cn/images/nationalcriminalreports/792.png>
- ²⁰⁹ WOIPFG: PLA No. 463 Hospital
<https://www.zhuichaguoji.org/node/101937>
- ²¹⁰ Vip.com: Clinical Analysis of 326 Cases of Kidney Transplantation in PLA N. 463 Hospital
<http://www.cqvip.com/qk/92017x/200605/22969887.html>
<https://archive.is/wip/U11t5>
- ²¹¹ Baidu Encyclopedia: Shenyang No. 463 Hospital
<http://baike.baidu.com/view/185575.htm>
Link to WOIPFG Files:
<http://www.zhuichaguoji.org/cn/images/nationalcriminalreports/793.png>
- ²¹² WOIPFG: PLA No. 463 Hospital
<https://www.zhuichaguoji.org/node/101937>
- ²¹³ Laser Myopia Treatment Center of PLA No. 463 Hospital: Liaoning Red Cross Eye Bank was established in the Department of Ophthalmology of PLA No.463 Hospital 12-04-05
<http://magicjackxm.com/jmyz/474G.html>
Link to WOIPFG Files:
<http://www.zhuichaguoji.org/cn/images/nationalcriminalreports/794.pdf>
- ²¹⁴ WOIPFG Report on Investigation into CCP's Current Organ Harvesting of Living Falun Gong Practitioners (III)
<https://www.zhuichaguoji.org/node/72524>
- ²¹⁵ WOIPFG Report on Investigation into CCP's Current Organ Harvesting of Living Falun Gong Practitioners (IV)
<https://www.zhuichaguoji.org/node/77139>
- ²¹⁶ Shenyang No. 463 Hospital's famous medical expert: Guo Hongxin, Chief Surgeon Source: Department of Urology, Shenyang No. 463 Hospital
<http://www.463mn.com/zhuanjia/2805.html>
<https://web.archive.org/web/20140331041732/http://www.463mn.com/zhuanjia/2805.html>
- ²¹⁷ Profile of Guo Hongxin, Director of Urology, PLA No. 463 Hospital
<http://www.lngamma463.com/zhuanti/zj-ghx>



追查迫害法輪功國際組織 (追查國際)

World Organization to Investigate the Persecution of Falun Gong (WOIPFG)

To investigate the criminal conduct of all institutions, organizations, and individuals involved in the persecution of Falun Gong; to bring such investigation, no matter how long it takes, no matter how far and deep we have to search, to full closure; to exercise fundamental principles of humanity; and to restore and uphold justice in society

<http://archive.is/5tMA6>

²¹⁸Shenyang No. 463 Hospital's famous medical expert: Shi Qixing, Associate Chief Surgeon Sources: Department of Urology, Shenyang No. 463 Hospital

<http://www.463mn.com/zhuanjia/2782.html>

<https://web.archive.org/web/20150525011938/http://www.463mn.com/zhuanjia/2782.html>

²¹⁹Xunyiwenyao.com: Basic information of Wang Honglin

<http://z.xywy.com/zhuanjia-463-puwaike-linwanghonglin.htm>

²²⁰Introduction to Urology, PLA No. 463 Hospital

<http://www.463.cn/show.php?mesid=67>

<https://web.archive.org/web/20160121010735/http://www.463.cn/show.php?mesid=67>